



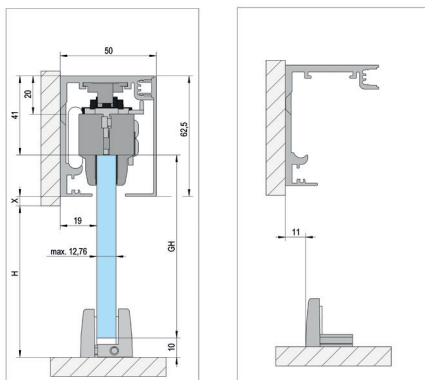
Q4 / 2018

Product Information and Technical Drawings

Product range enlargement

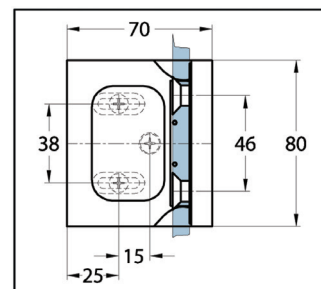


MasterTrack FT



From page 2

Next



From page 10

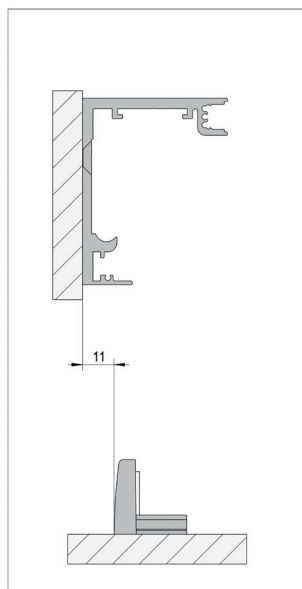
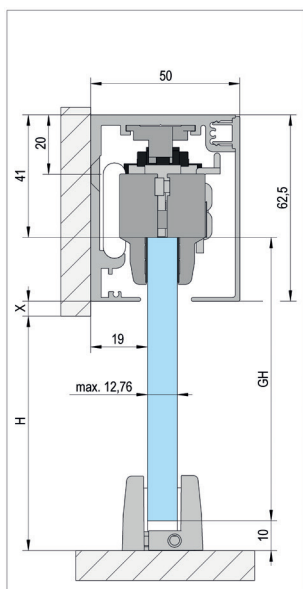


MasterTrack FT

Experience a completely new running smoothness - The glass sliding door system of the new generation: MasterTrack FT stands out due to its patented dampers and its unique roller units with revolutionary running smoothness. Also the installation is revolutionary. The system can be mounted to the wall or ceiling with a few simple steps. Also dimensioning for inserting the glass pane in the clamping mechanism becomes superfluous.



Bohle MasterTrack FT 60 Set Wall Mounting incl. damping mechanism, single door



LENGTH · FINISH

ART. NO.

2000 mm · aluminium-coloured E6/EV1

BO 5762011

2000 mm · stainless steel look E4/C31

BO 5762012

2500 mm · aluminium-coloured E6/EV1

BO 5762511

2500 mm · stainless steel look E4/C31

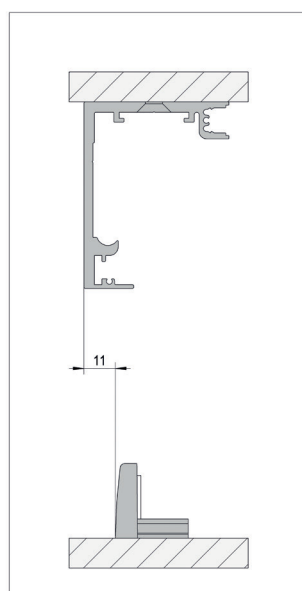
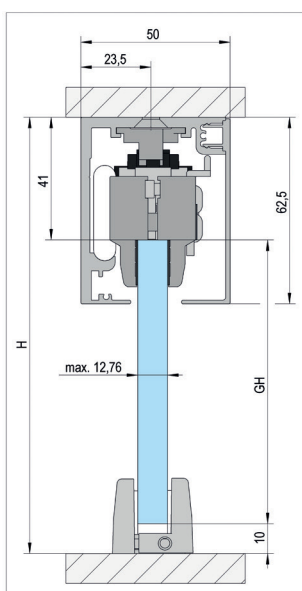
BO 5762512

Included in delivery: 1x Top Track, 1x Cover, 2x Carriages, 2x Damping Mechanism, 1x Bottom guide, 2x Cover

ⓘ Glass thickness door: tempered glass 8 - 12 mm, laminated safety glass 8.76 - 12.76 mm · no glass processing required · Minimum door width 600 mm · The running track is pre-drilled. · Max. door weight 60 kg · Closing function manual



Bohle MasterTrack FT 60 Set Ceiling Mounting incl. damping mechanism, single door



LENGTH · FINISH

ART. NO.

2000 mm · aluminium-coloured E6/EV1

BO 5762021

2000 mm · stainless steel look E4/C31

BO 5762022

2500 mm · aluminium-coloured E6/EV1

BO 5762521

2500 mm · stainless steel look E4/C31

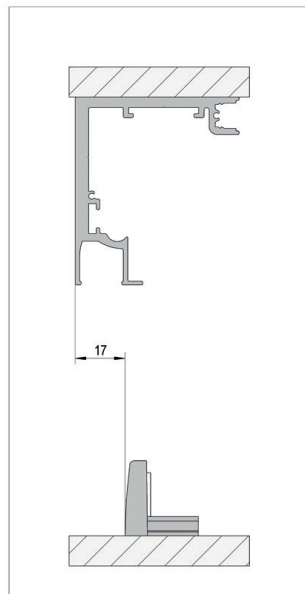
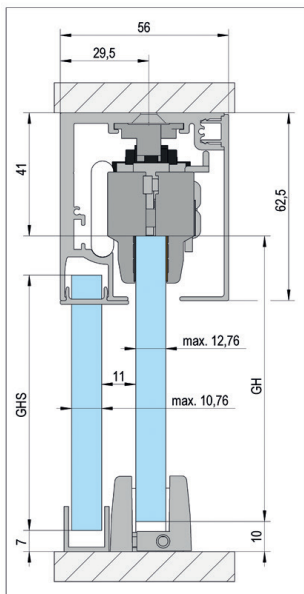
BO 5762522

Included in delivery: 1x Top Track, 1x Cover, 2x Carriages, 2x Damping Mechanism, 1x Bottom guide

ⓘ Glass thickness door: tempered glass 8 - 12 mm, laminated safety glass 8.76 - 12.76 mm · no glass processing required · Minimum door width 600 mm · The running track is pre-drilled. · Max. door weight 60 kg · Closing function manual



Bohle MasterTrack FT 60 Set Ceiling Mounting with Fixed Sidelight incl. damping mechanism, single door



LENGTH · FINISH

2000 mm · aluminium-coloured E6/EV1
2000 mm · stainless steel look E4/C31
2500 mm · aluminium-coloured E6/EV1
2500 mm · stainless steel look E4/C31

ART. NO.

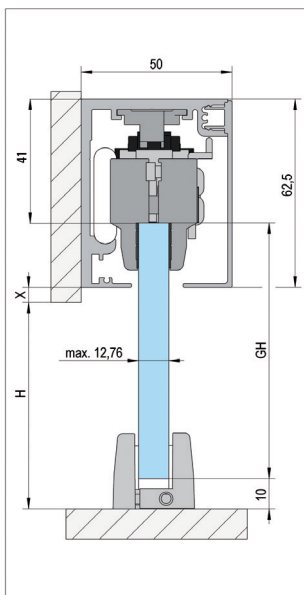
BO 5762031
BO 5762032
BO 5762531
BO 5762532

Included in delivery: 1x Top Track, 1x Cover, 2x Carriages, 2x Damping Mechanism, 1x Bottom guide, x Snapframe standard for fixed sidelight profile

i Glass thickness door: tempered glass 8 - 12 mm, laminated safety glass 8.76 - 12.76 mm · Glass thickness Fixed Sidelight: tempered glass 8 - 10 mm, laminated glass 8.76 - 10.76 mm · no glass processing required · Minimum door width 600 mm · The running track is pre-drilled. · Max. door weight 60 kg · Closing function manual



Bohle MasterTrack FT 80 Set Wall Mounting incl. damping mechanism, single door



LENGTH · FINISH

2000 mm · aluminium-coloured E6/EV1
2000 mm · stainless steel look E4/C31
2500 mm · aluminium-coloured E6/EV1
2500 mm · stainless steel look E4/C31
3000 mm · aluminium-coloured E6/EV1
3000 mm · stainless steel look E4/C31

ART. NO.

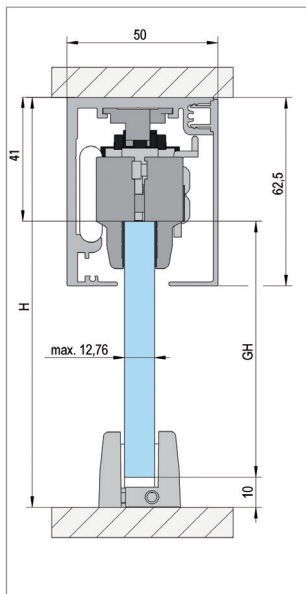
BO 5782011
BO 5782012
BO 5782511
BO 5782512
BO 5783011
BO 5783012

Included in delivery: 1x Top Track, 1x Cover, 2x Carriages, 2x Damping Mechanism, 1x Bottom guide, 2x Cover

i Glass thickness door: tempered glass 8 - 12 mm, laminated safety glass 8.76 - 12.76 mm · no glass processing required · The running track is pre-drilled. · Minimum door width 790 mm · Max. door weight 80 kg · Closing function manual



Bohle MasterTrack FT 80 Set Ceiling Mounting incl. damping mechanism, single door



LENGTH · FINISH

ART. NO.

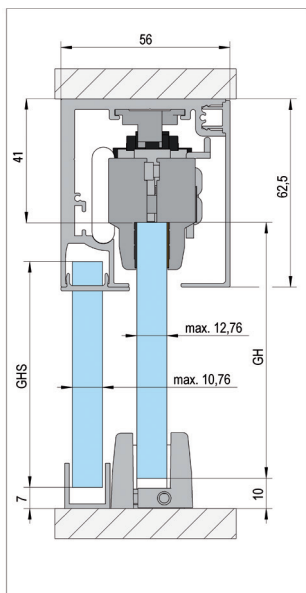
2000 mm · aluminium-coloured E6/EV1	BO 5782021
2000 mm · stainless steel look E4/C31	BO 5782022
2500 mm · aluminium-coloured E6/EV1	BO 5782521
2500 mm · stainless steel look E4/C31	BO 5782522
3000 mm · aluminium-coloured E6/EV1	BO 5783021
3000 mm · stainless steel look E4/C31	BO 5783022

Included in delivery: 1x Top Track, 1x Cover, 2x Carriages, 2x Damping Mechanism, 1x Bottom guide

i Glass thickness door: tempered glass 8 - 12 mm, laminated safety glass 8.76 - 12.76 mm · no glass processing required · The running track is pre-drilled. · Minimum door width 790 mm · Max. door weight 80 kg · Closing function manual



Bohle MasterTrack FT 80 Set Ceiling Mounting with Fixed Sidelight incl. damping mechanism, single door



LENGTH · FINISH

ART. NO.

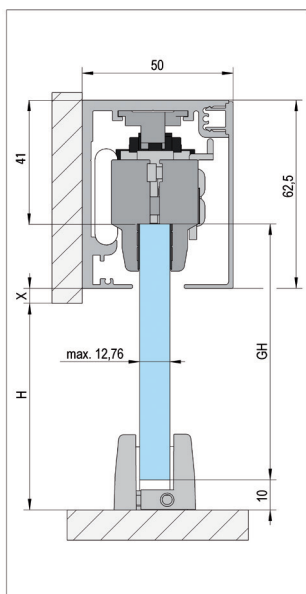
2000 mm · aluminium-coloured E6/EV1	BO 5782031
2000 mm · stainless steel look E4/C31	BO 5782032
2500 mm · aluminium-coloured E6/EV1	BO 5782531
2500 mm · stainless steel look E4/C31	BO 5782532
3000 mm · aluminium-coloured E6/EV1	BO 5783031
3000 mm · stainless steel look E4/C31	BO 5783032

Included in delivery: 1x Top Track, 1x Cover, 2x Carriages, 2x Damping Mechanism, 1x Bottom guide, 1x Snapframe standard for fixed sidelight profile

i Glass thickness door: tempered glass 8 - 12 mm, laminated safety glass 8.76 - 12.76 mm · Glass thickness Fixed Sidelight: tempered glass 8 - 10 mm, laminated glass 8.76 - 10.76 mm · no glass processing required · The running track is pre-drilled. · Minimum door width 790 mm · Max. door weight 80 kg · Closing function manual



Bohle MasterTrack FT Profile Set Wall Mounting



LENGTH · FINISH

ART. NO.

3000 mm · aluminium-coloured E6/EV1

BO 5703011

3000 mm · stainless steel look E4/C31

BO 5703012

4000 mm · aluminium-coloured E6/EV1

BO 5704011

4000 mm · stainless steel look E4/C31

BO 5704012

6000 mm · aluminium-coloured E6/EV1

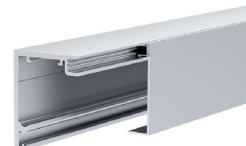
BO 5706011

6000 mm · stainless steel look E4/C31

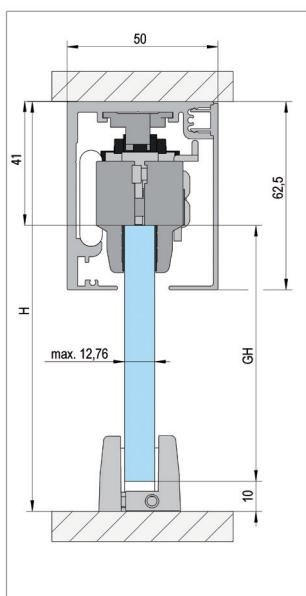
BO 5706012

Included in delivery: 1x Top Track,
1x Cover

i The running track is pre-drilled.



Bohle MasterTrack FT Profile Set Ceiling Mounting



LENGTH · FINISH

ART. NO.

3000 mm · aluminium-coloured E6/EV1

BO 5703021

3000 mm · stainless steel look E4/C31

BO 5703022

4000 mm · aluminium-coloured E6/EV1

BO 5704021

4000 mm · stainless steel look E4/C31

BO 5704022

6000 mm · aluminium-coloured E6/EV1

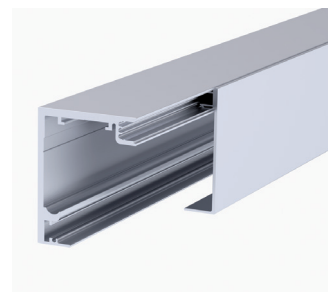
BO 5706021

6000 mm · stainless steel look E4/C31

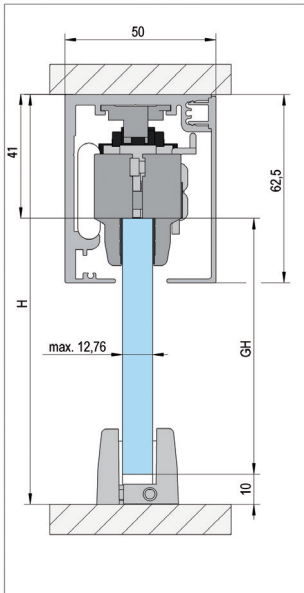
BO 5706022

Included in delivery: 1x Top Track,
1x Cover

i The running track is pre-drilled.



Bohle MasterTrack FT Profile Set Ceiling Mounting with Fixed Sidelight



LENGTH · FINISH	ART. NO.
3000 mm · aluminium-coloured E6/EV1	BO 5703031
3000 mm · stainless steel look E4/C31	BO 5703032
4000 mm · aluminium-coloured E6/EV1	BO 5704031
4000 mm · stainless steel look E4/C31	BO 5704032
6000 mm · aluminium-coloured E6/EV1	BO 5706031
6000 mm · stainless steel look E4/C31	BO 5706032

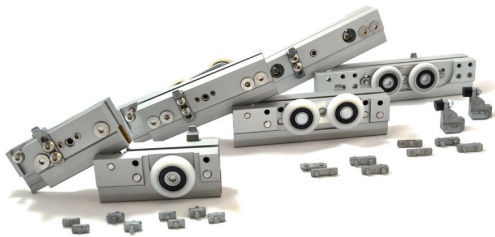
Included in delivery: 1x Top Track,
1x Cover

i The running track is pre-drilled.



Bohle MasterTrack FT carriage set incl. damping mechanism

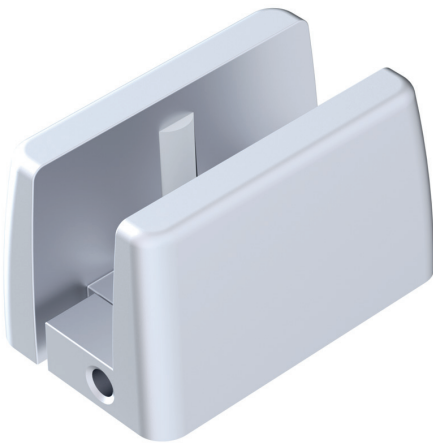
MAX. DOOR WEIGHT · MINIMUM DOOR WIDTH	ART. NO.
60 kg · 600 mm	BO 5706000
80 kg · 790 mm	BO 5708000
120 kg · 905 mm	BO 5701200
150 kg · 905 mm	BO 5701500



Included in delivery: 2x Carriages, 2x Damping Mechanism, 2x Trigger for
damping mechanism

i Glass thickness door: tempered glass 8 - 12 mm, laminated safety glass 8.76 - 12.76 mm · Glass thickness Fixed Sidelight: tempered glass 8 - 10 mm, laminated glass 8.76 - 10.76 mm · no glass processing required · Can be used to upgrade complete sets to double door systems.

Bohle MasterTrack FT Bottom Guide



FINISH	ART. NO.
aluminium-coloured E6/EV1	BO 5700005
stainless steel look E4/C31	BO 5700006

Included in delivery: 1x Bottom Guide

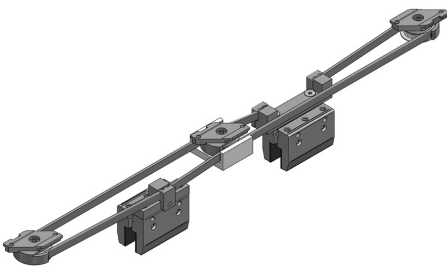
Bohle MasterTrack FT Cover Caps set



FINISH	ART. NO.
aluminium-coloured E6/EV1	BO 5700011
stainless steel look E4/C31	BO 5700012

Included in delivery: 2x face fixed removable cover plate

Bohle MasterTrack FT Accessory Set Synchro



DESCRIPTION	ART. NO.
suitable for all Bohle MasterTrack FT systems	BO 5700020

Included in delivery

Apart from the running track, each system includes:

60 kg

Glass width:
min. 600 mm

80 kg

Glass width:
min. 790 mm

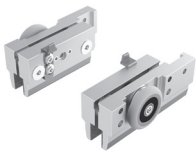
120 kg

Glass width:
min. 905 mm

150 kg

Glass width:
min. 905 mm

Carriages:



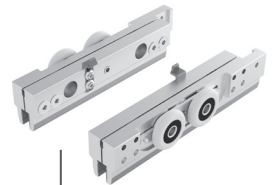
L60



L80



L120



L150

Damper:



D60



D80

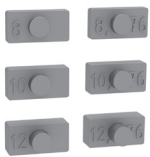


D120



D150

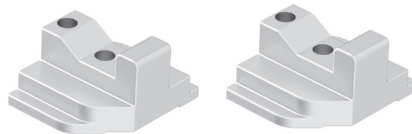
ALSO INCLUDED IN EACH WEIGHT CLASS



shims

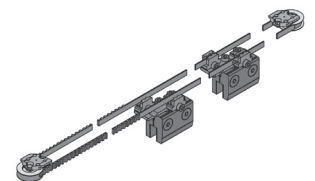


Bottom guide



Trigger for damper

OPTIONAL EQUIPMENT



set for synchronous operation

Our recommendation
The planning tool you find at www.bohle.com helps you with the accurate calculation of glass and profile dimensions.



Next

Perfection down to the last detail – the predominantly square-angled design of the Next shower door hinge gives the hinge a minimalistic look which perfectly integrates into modern bathroom settings. Both the screws of the wall fixing and the screws on the hinge are concealed – so nothing interferes with the minimalistic design. The integrated rise and fall function provides supreme comfort.



Shower Door Hinge Next glass/wall 90° DIN right



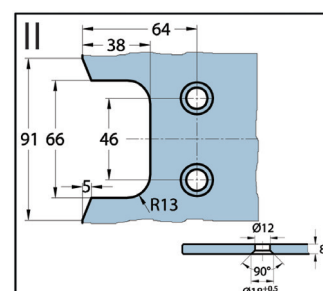
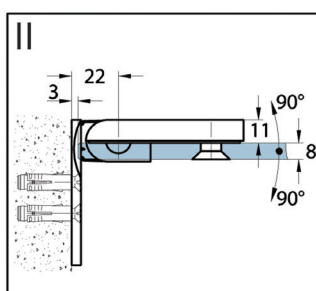
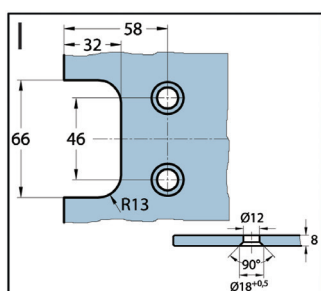
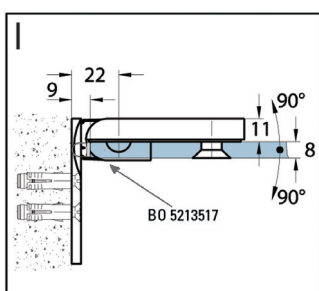
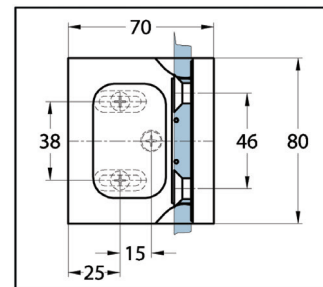
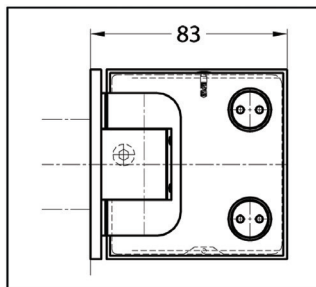
FINISH

ART. NO.

shiny chrome-plated

BK 8141231

① Glass thickness 8, 10 mm · lifting height 5 mm · Elongated Hole for Wall Mounting · Max. door weight per pair 40 kg · max. door height 2250 mm · Max. door width 900 mm · Material brass



Shower Door Hinge Next glass/wall 90° DIN left



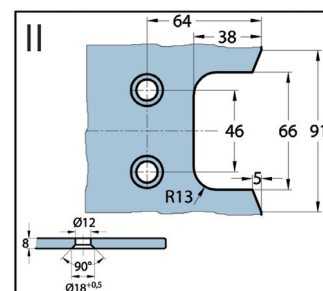
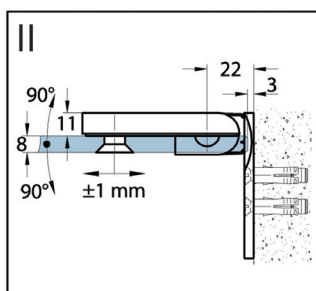
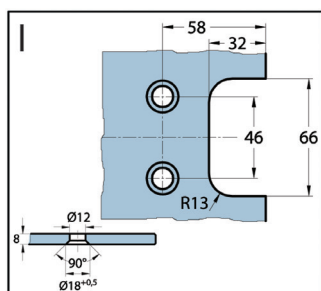
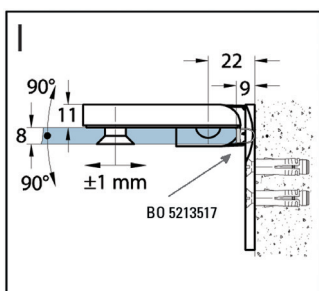
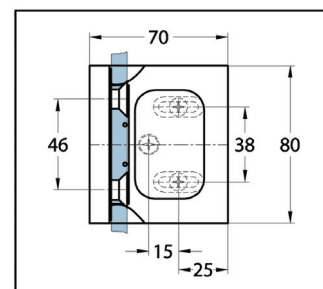
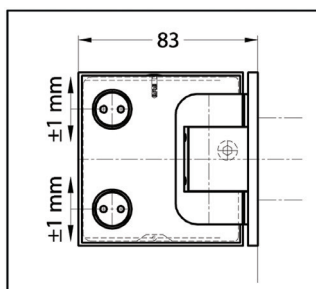
FINISH

ART. NO.

shiny chrome-plated

BK 8141331

① Glass thickness 8, 10 mm · lifting height 5 mm · Elongated Hole for Wall Mounting · Max. door weight per pair 40 kg · max. door height 2250 mm · Max. door width 900 mm · Material brass



Shower Door Hinge Next glass/glass 180° DIN right



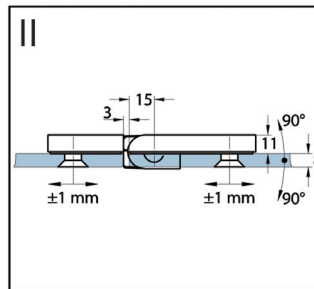
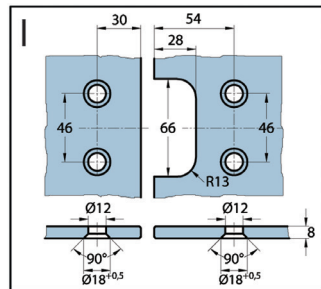
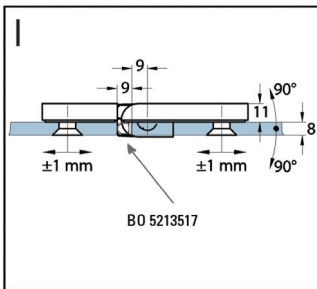
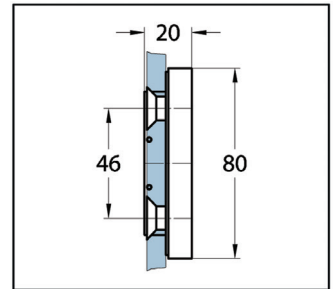
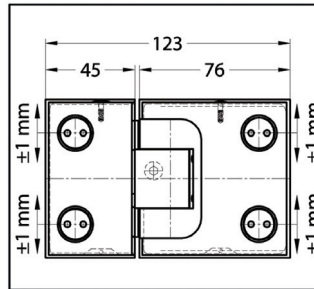
FINISH

ART. NO.

shiny chrome-plated

BK 8143031

① Glass thickness 8, 10 mm · lifting height 5 mm · Max. door weight per pair 40 kg · max. door height 2250 mm · Max. door width 900 mm · Material brass



Shower Door Hinge Next glass/wall 90° DIN left



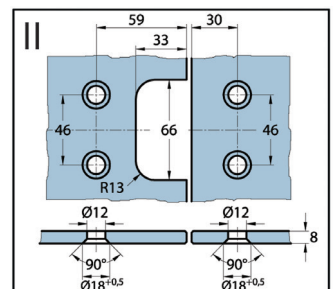
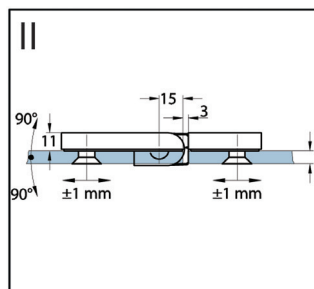
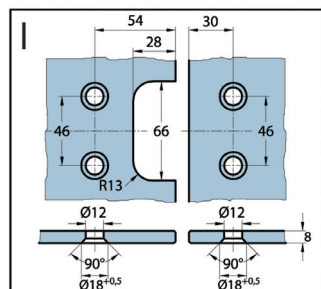
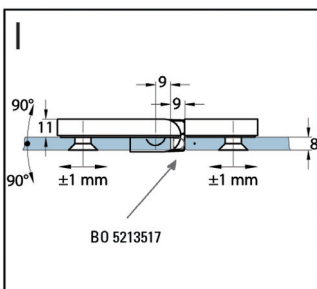
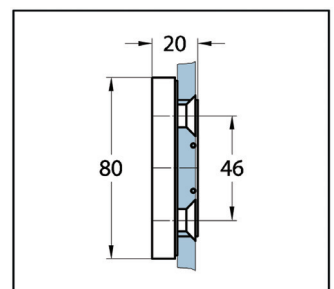
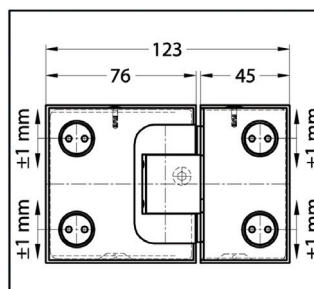
FINISH

ART. NO.

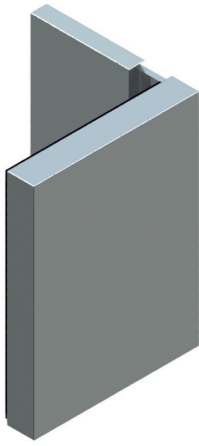
shiny chrome-plated

BK 8143131

① Glass thickness 8, 10 mm · lifting height 5 mm · Max. door weight per pair 40 kg · max. door height 2250 mm · Max. door width 900 mm · Material brass



Corner Clamp Next glass/wall 90°



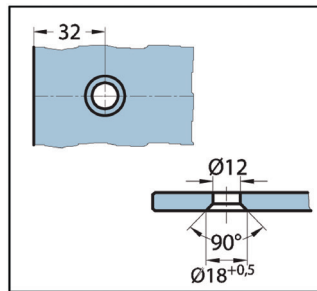
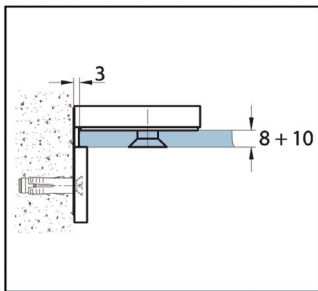
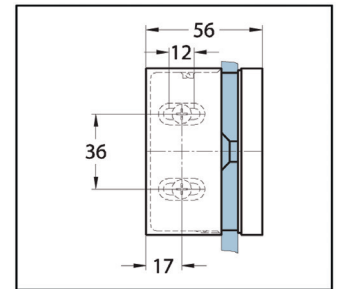
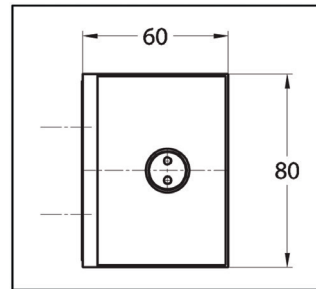
FINISH

ART. NO.

shiny chrome-plated

BK 8149131

i Glass thickness 8, 10 mm · Material brass



Bohle AG
Dieselstr. 10
42781 Haan

T +49 2129 5568-249
F +49 2129 5568-241

export@bohle.de
www.bohle.com