

First battery-powered
lifting system with
GS certificate



Liftmaster Quadro
Highest safety. Maximum flexibility.

Modular construction concept

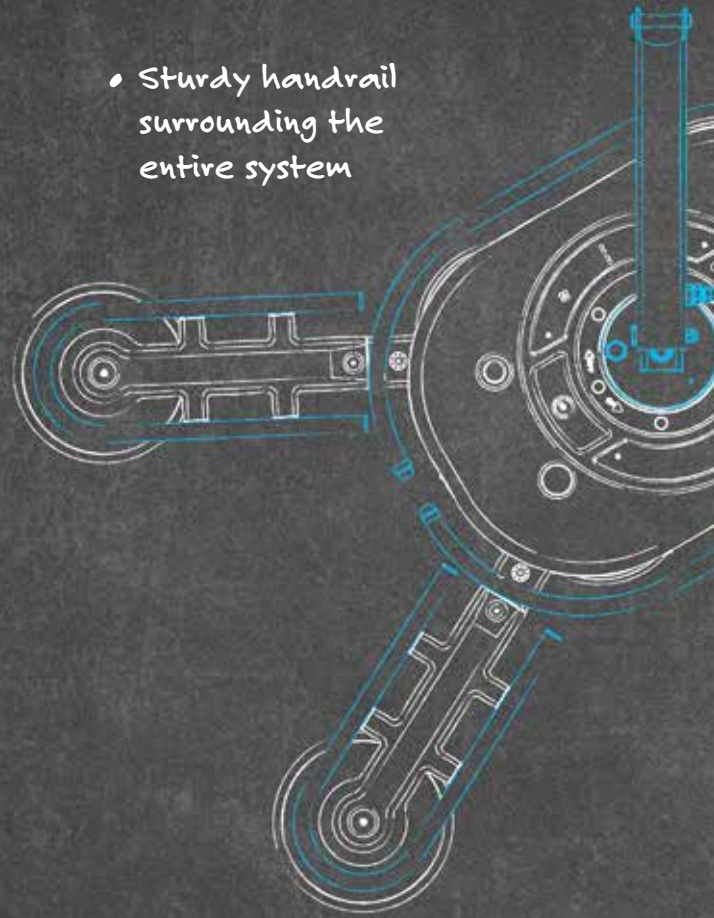
The new vacuum lifting device from the Bohle Liftmaster Quadro series sets new standards in vacuum lifting technology. Its innovative operating concept, the quick battery exchange and the high safety standards make the lifting systems reliable mounting aids for indoor and outdoor applications. They are used together with overhead and mobile cranes. Four optional extension arms complement the modular construction of the devices and increase its flexibility in use. TÜV-tested.

Maximum flexibility

Thanks to its modular construction, the system can ideally adapt itself to the most diverse installations with the aid of up to four extensions arms and the detachable suction pads. The properties of the suction pads ensure outstanding adhesion and a long service life. The whole lifting system can be rotated by 360° (with 12 locking positions) and can also be tilted by 90°.

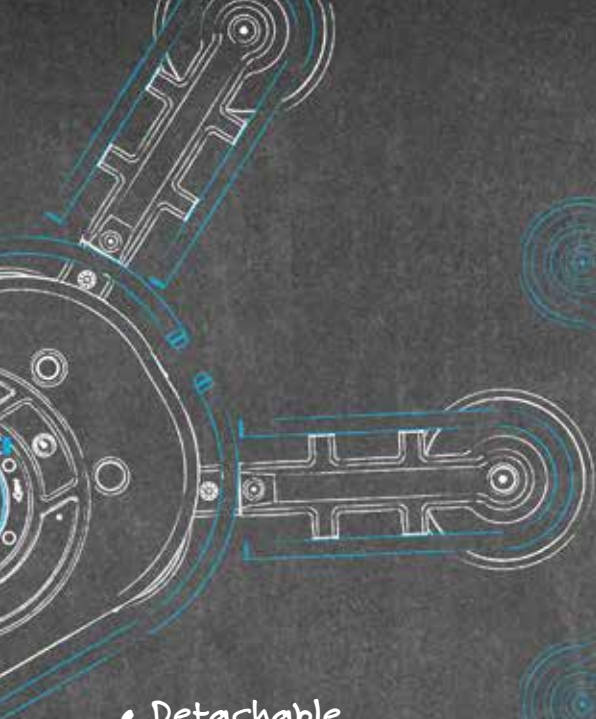
Due to its powerful batteries that can be easily exchanged without the need for tools and the portable charger for on-site use, the lifting equipment can work uninterrupted.

- Sturdy handrail surrounding the entire system

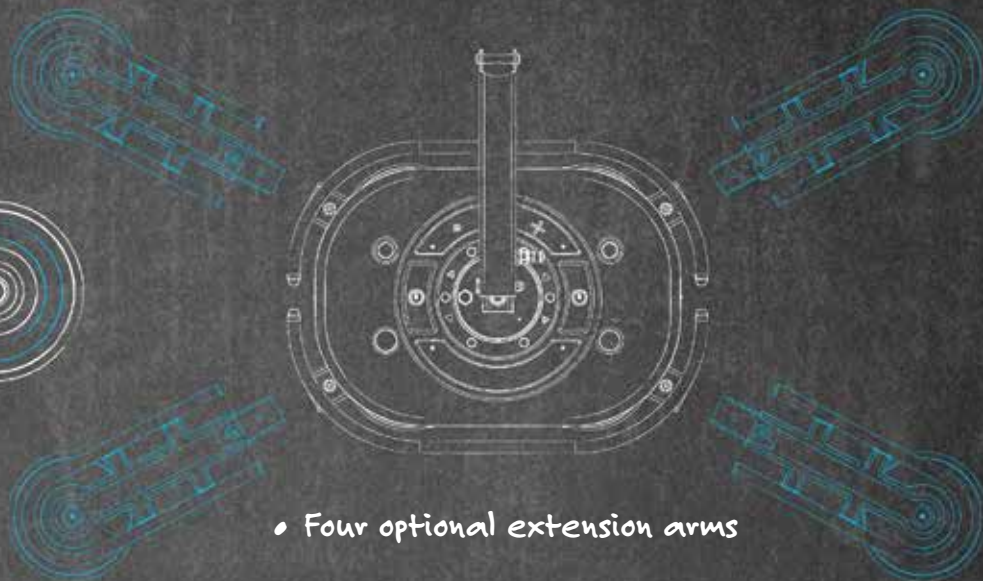


- Can be rotated by 360° and tilted by 90°

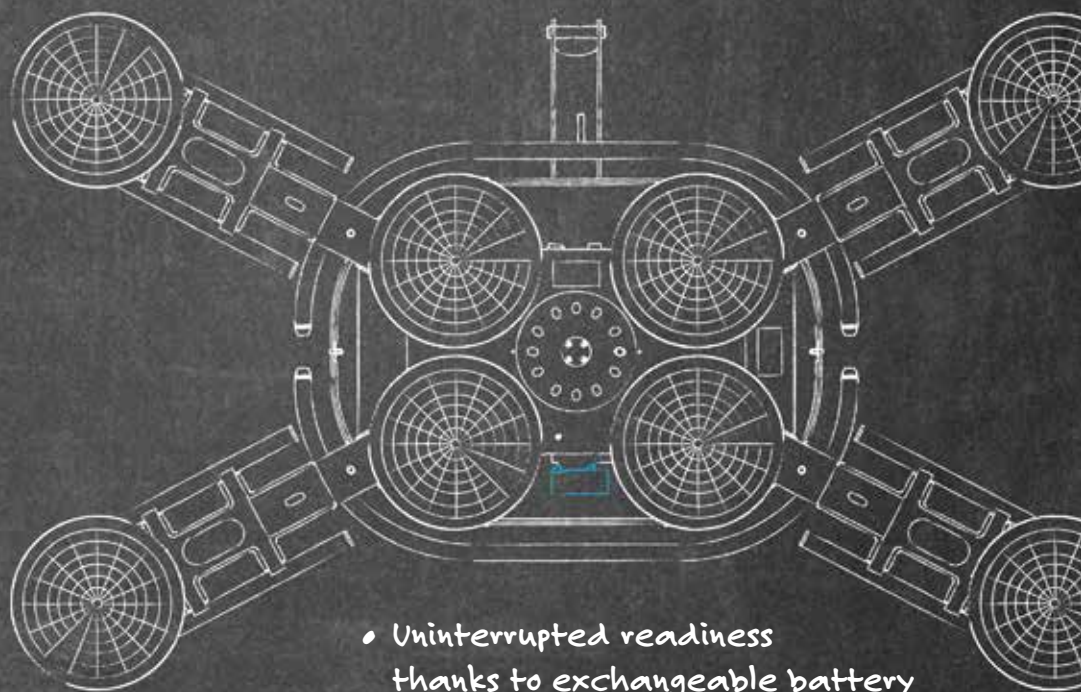
LIFTMASTER



- Detachable suction pads



- Four optional extension arms



- Uninterrupted readiness thanks to exchangeable battery

QUADRO

Safety thought through to the end

When it comes to safety, Bohle sets new benchmarks. The new operating concept in particular makes the everyday handling of loads of up to 800 kg respectively much safer. Thanks to a continuous handrail surrounding the entire lifting equipment and a patented, centrally located control panel, every move fits – ensuring a safe and easy application, regardless from which side the system is operated. In addition, all lines and cables are protected inside the housing in such a way that any risk of damage is practically excluded. Visual and acoustic signals alert the operator in case of a low battery and vacuum level. The reliable dual circuit vacuum system guarantees a twofold safety factor according to EN13155 for vacuum generation and fixing tasks.

Both Liftmaster Quadro 400 Pro and Liftmaster Quadro 800 Pro models have been independently approved by TÜV Nord and bear the GS sign. The system is therefore subject to regular product and production audits

- First lifting equipment with GS certificate (Liftmaster Quadro 400 Pro and 800 Pro)
- Dual circuit vacuum system as per EN 13155
- All lines and cables protected inside the housing
- Sturdy handrail surrounding the entire system
- Visual and acoustic warning signals
- Splash-proof as per IPX4

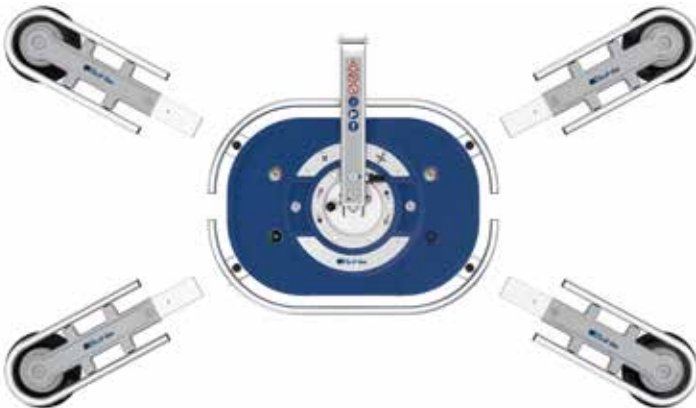


Liftmaster Quadro 400 Pro and 800 Pro





Liftmaster Quadro 800 Pro



SAFE HANDRAIL
surrounding the entire system



PATENTED CONTROL PANEL
with intelligent safeguard



MOBILE EXTENSION ARMS

VACUUM INDICATOR
for vacuum circuits 1 & 2

CRANE ARM
for suspension in interior and exterior areas

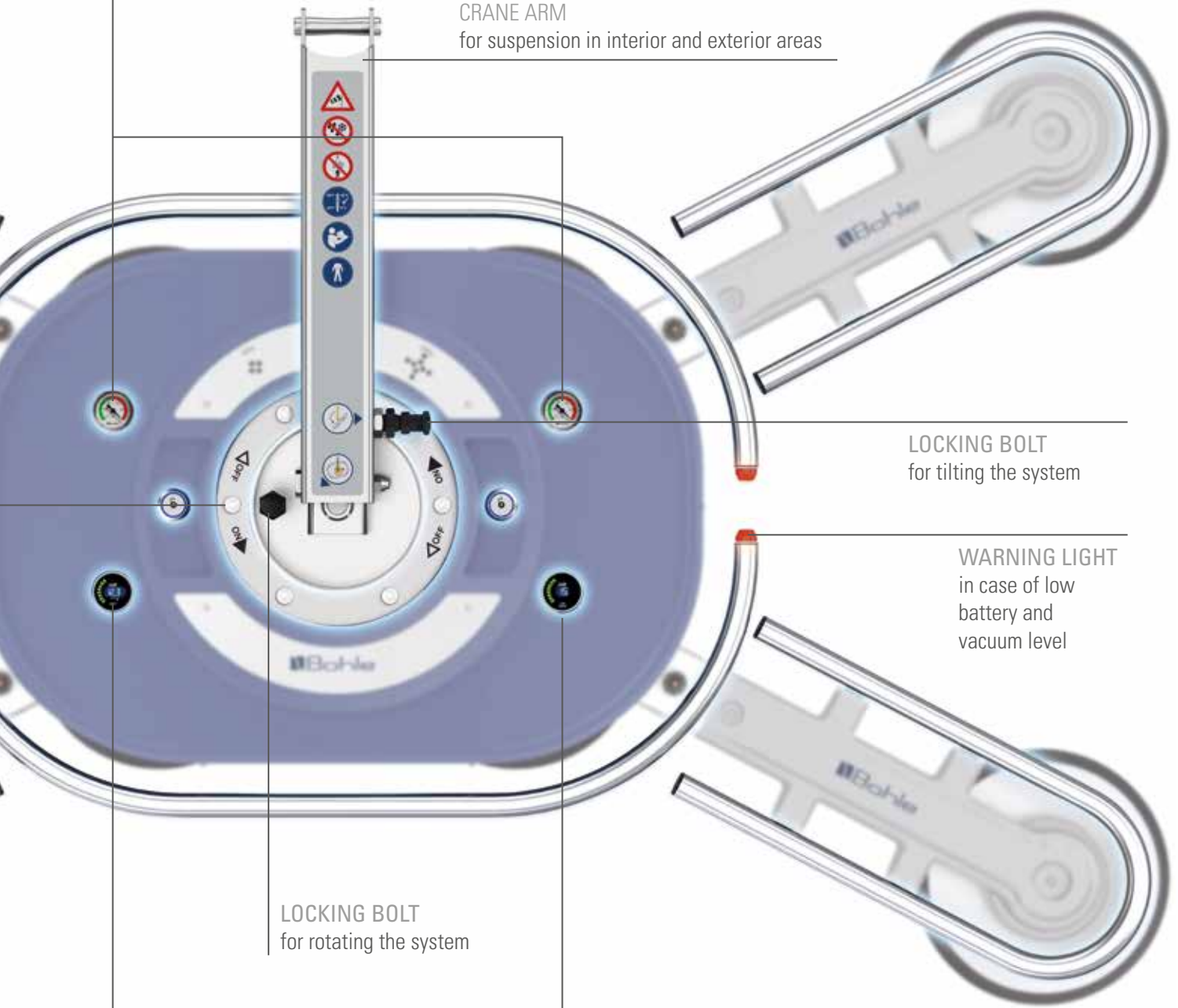
LOCKING BOLT
for tilting the system

WARNING LIGHT
in case of low
battery and
vacuum level

LOCKING BOLT
for rotating the system

DIGITAL TEMPERATURE INDICATION

DIGITAL BATTERY INDICATOR



Flexible mobility

A practical transport rack with optional castors is available as an accessory for the Liftmaster Quadro lifting units. It provides space for the basic body and its four extension arms and simplifies both safe transport in the vehicle and space-saving storage in the workshop or on the construction site.

We will be happy to answer your questions!





LIFTMASTER QUADRO

Liftmaster Quadro 300
BO B30DA4

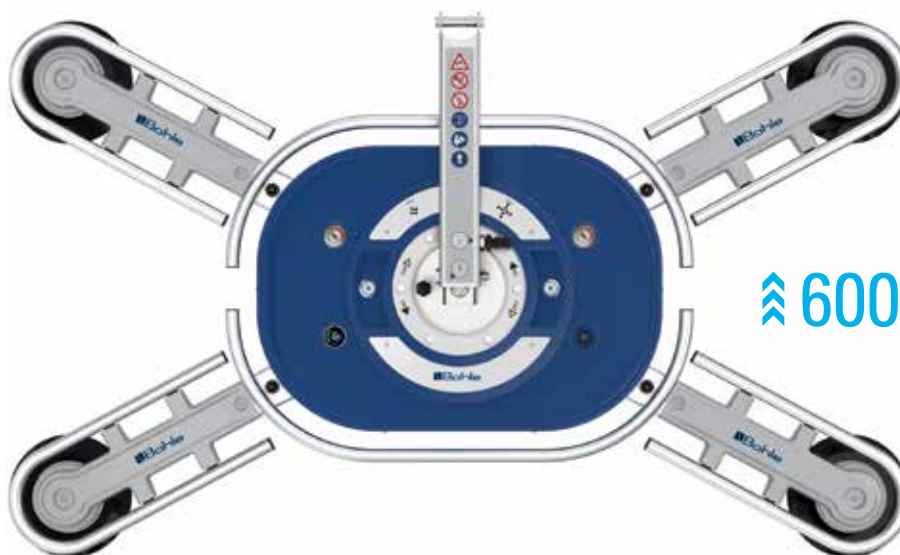


≈ 300 kg

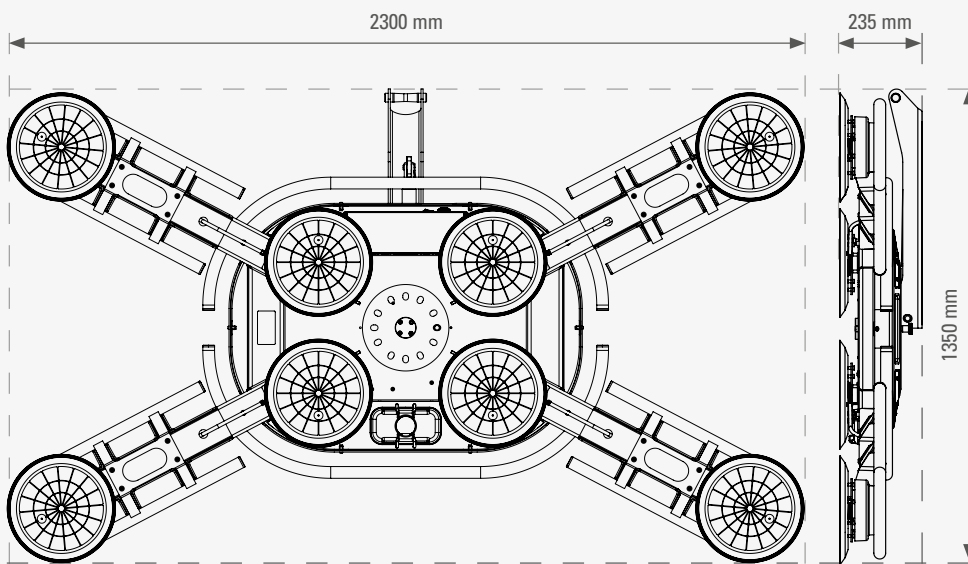
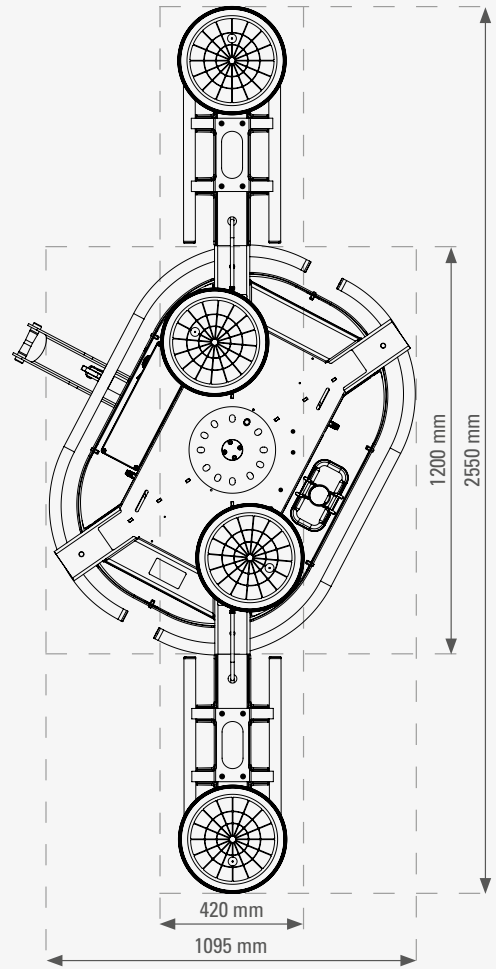
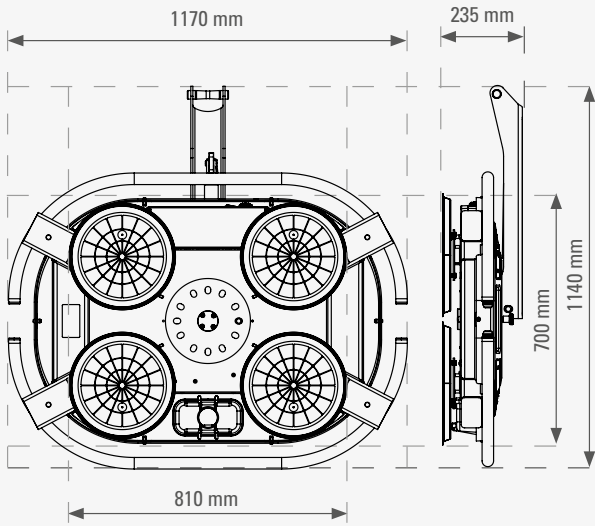
- Doubling of the carrying capacity through four optional extension arms (B088.W0280)

- Suction pads diameter of 305 mm
- Warning system with one signal lamp
- Load capacity per suction pad 75 kg
- 1 battery included

Liftmaster Quadro 600
BO B60DA8



≈ 600 kg



LIFTMASTER QUADRO PRO

Liftmaster Quadro 400 Pro
BO B40DA4



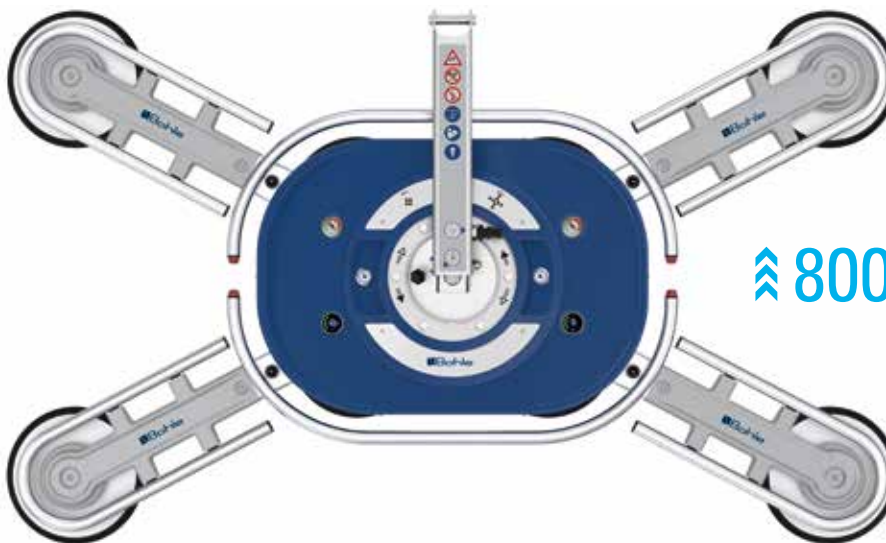
≈ 400 kg

- Doubling of the carrying capacity through four optional extension arms (BO 88.AL360)



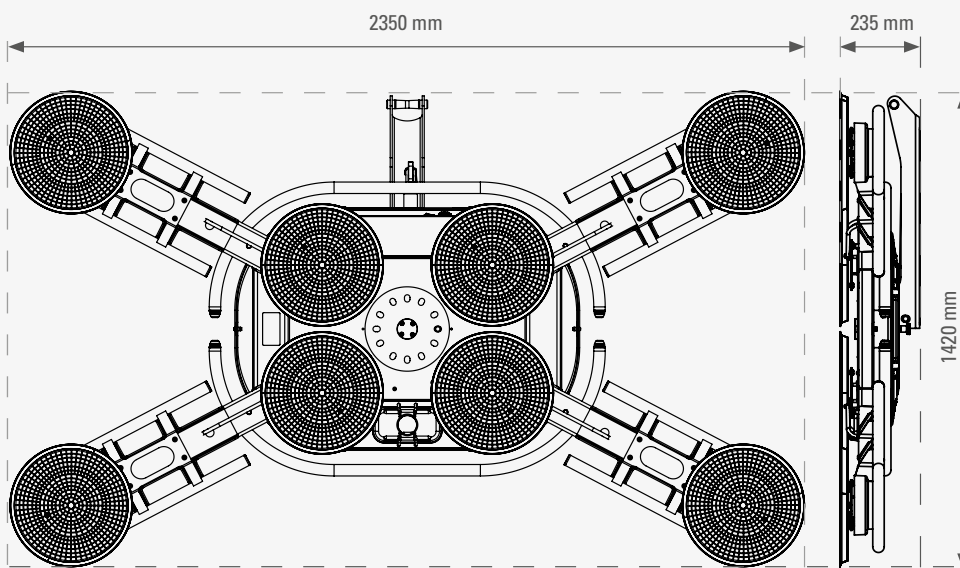
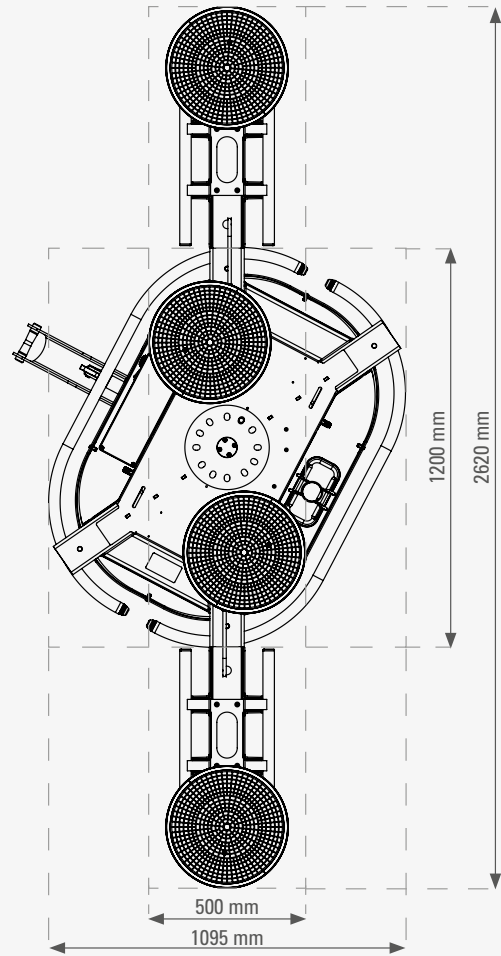
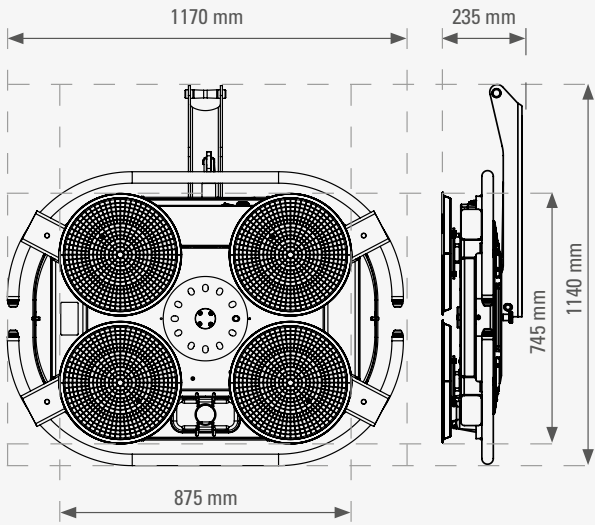
- Suction pads diameter of 360 mm
- Digital outdoor temperature display
- 2 batteries included
- Load capacity per suction pad 100 kg
- Warning system with 4 signal lamps
- TÜV approved

Liftmaster Quadro 800 Pro
BO B80DA8



≈ 800 kg





Accessories



Extension arm incl. suction pad Ø 305 mm for Liftmaster Quadro

For applications requiring a larger distance between suction pads to minimise the protrusion of materials as far as possible. To increase load capacity by 300 kg, four pieces required.

ART. NO.

BO 88.WO280



Extension arm incl. suction pad Ø 360 mm for Liftmaster Quadro Pro

For applications requiring a larger distance between suction pads to minimise the protrusion of materials as far as possible. To increase load capacity by 400 kg, four pieces required.

ART. NO.

BO 88.AL360



Transport rack

The handy transport rack for lifting equipment of the Liftmaster Quadro Series. It offers space for the lifter base body and its four extension arms and in addition facilitates both the safe transport in a vehicle and the space-saving storage in the workshop or on site.

DESCRIPTION

ART. NO.

Transport rack

BO 88.112

Roller set for transport rack BO 80.112

BO 88.113

Tarpaulin for transport rack BO 80.112

SP 88.B051



Hydraulic brake cylinder

The optional "brake cylinder" is a double-acting hydraulic brake. It prevents the load from tilting from vertical into horizontal position and vice versa during transport. The brake cylinder is stored in a space saving way in the crane arm of the Liftmaster Quadro lifting equipment.

ART. NO.

BO 88.114



Battery 12V 3AH

Replacement/spare battery for the Liftmaster Quadro lifting equipment. The battery can be replaced in a few simple steps and without tools. This way, the lifting equipment can be used uninterrupted.

ART. NO.

SP 88.B0214

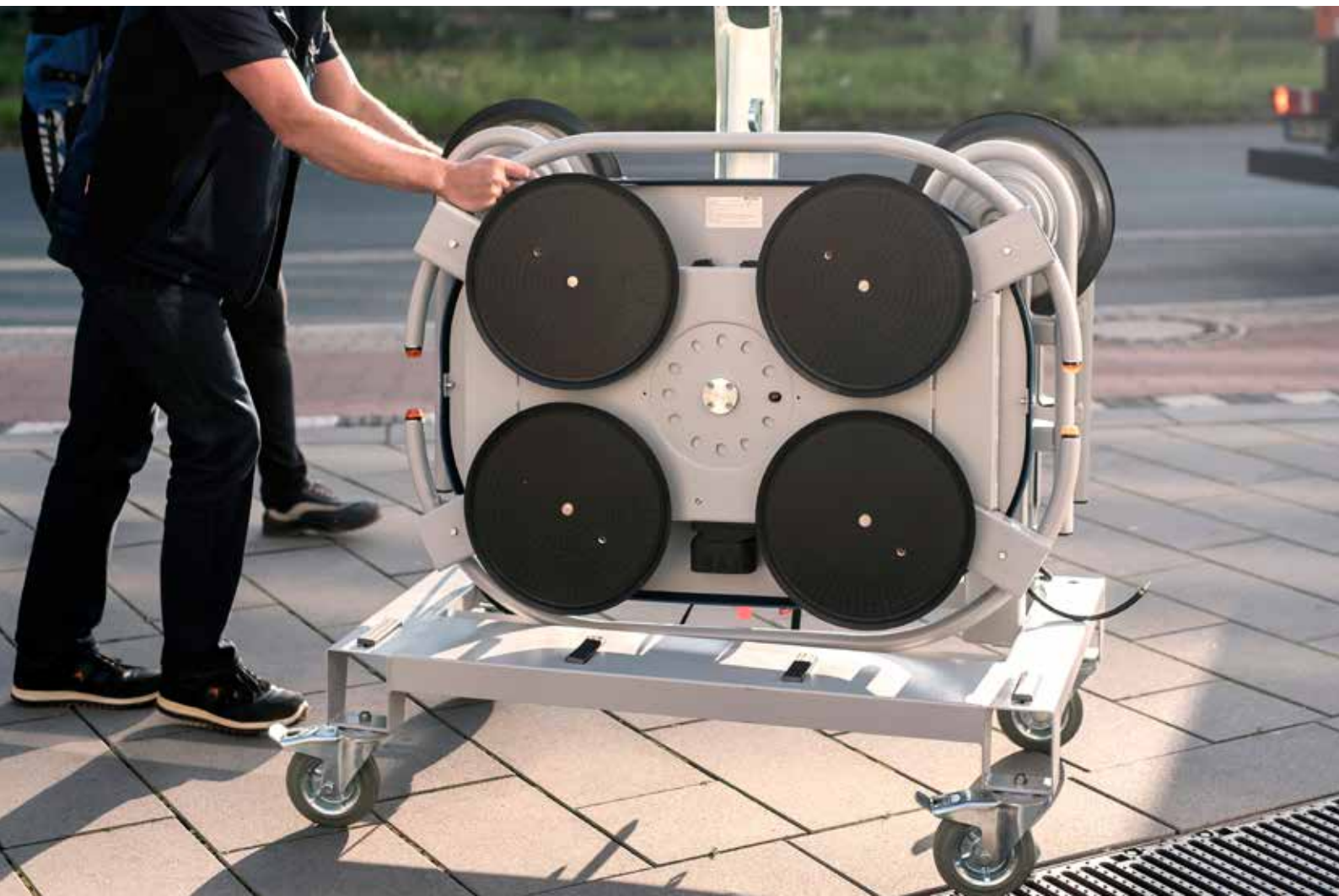


Charger 230-12V

The charger for the Liftmaster Quadro battery (SP 88.B0214) has been designed for optimum, quick, and gentle charging. The battery quality is maintained, thus ensuring a long service life.

ART. NO.

SP 88.B0254



Accessories



Suction pad Ø 305 mm for Liftmaster Quadro

lipped · max. load 75 kg with double security

ART. NO.

BO 6049646



Suction pad Ø 360 mm for Liftmaster Quadro Pro

Suction pads specially developed for vertical handling with generous contact surface to the load. Material NBR black, 50 Shore. Used especially for glass, plastic, wood, stone and metal. Load capacity 100 kg with double safety.

ART. NO.

BO 88.245



Protective cover for suction pads

Protects the suction pads from dirt and harmful UV radiation. Adjustable for suction pads from Ø 180 to 360mm

ART. NO.

SP 88.B0275



Round sling

With the aid of this round sling (depending on the crane model), the distance between the lifting equipment and the crane can be increased.

ART. NO.

Load capacity 2000 kg / EN 1492-2

BO 88.115







Bohle Worldwide

Germany

Bohle AG · Head Office
42781 Haan
T +49 2129 5568-100
info@bohle.de

Austria | Hungary Slovenia

Bohle GmbH
1230 Wien
T +43 1 804 4853-0
info@bohle.at

Benelux

Bohle Benelux B.V.
3905 LX Veenendaal
T +31 318 553151
info@bohle.nl

China

Bohle Trading Co., Ltd
Tianhe District, Guangzhou
T +86-20-38105870
jiang.du@bohle.de

Croatia

Bohle d.o.o.
51000 Rijeka
T +385 051-329-566
info@bohle.hr

Estonia

Bohle Baltic
13619 Tallinn
T +372 6112-826
info@bohle.ee

France

Bohle AG · Departement Français
42781 Haan, Germany
T +49 2129 5568-222/223/224
france@bohle.de

Italy

Bohle Italia s.r.l.
20071 Vermezzo con Zelo (MI)
T +39 02 94967790
info@bohle.it

Russia

Bohle Москва
108811 Москва
T +7 495 230-94-00
info@bohle.ru

Russia

Bohle Санкт Петербург
198020 Санкт Петербург
T +7 812 4452792
info@bohle.spb.ru

Spain | Portugal

Bohle Complementos del Vidrio S.A.U.
08907 L'Hospitalet (Barcelona)
T +34 932 615 361
info@bohle.es

South Africa

Bohle Glass Equipment (Pty) Ltd.
2125 Gauteng
T +27 11 792-6430
info@bohle.co.za

Sweden

Bohle Scandinavia AB
14175 Kungens Kurva
T +46 8 449 57 50
info@bohle.se

United Kingdom

Bohle Ltd.
Dukinfield, Cheshire, SK16 4PP
T +44 161 3421100
info@bohle.ltd.uk

USA

Bohle America
Charlotte, NC 28273
T+ (877) 678-2021
info@bohle-america.com
