



Suction lifter

VERIBOR®

Convincing Safety



VERIBOR®

Engineering Art	4
The Veribor® Aluminium Series	6
The Right Choice	8
Made in Germany	40
Convincing Safety	42





SUCTION LIFTER 8 – 20

Pump-Activated Suction Lifters	8 – 12
Lever-Activated Suction Lifters, aluminium	13 – 17
Lever-Activated Suction Lifters, plastic	18 - 21
All-Rubber Suction Lifters	22 - 23

FIXING AIDS 24 – 31

CARRYING AIDS 32 – 33

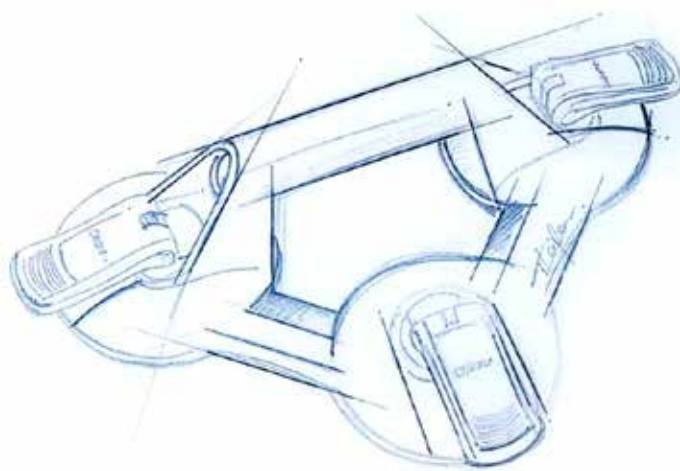
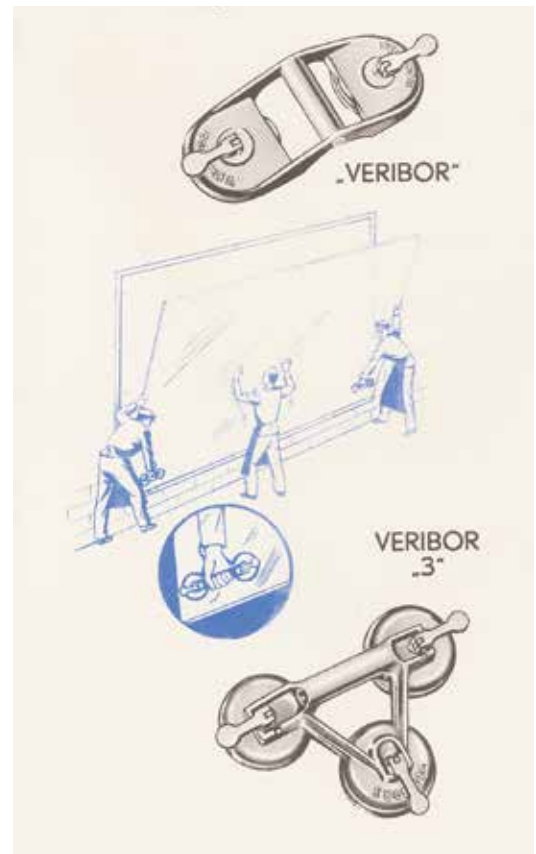
LIFTING EQUIPMENT 34 – 39

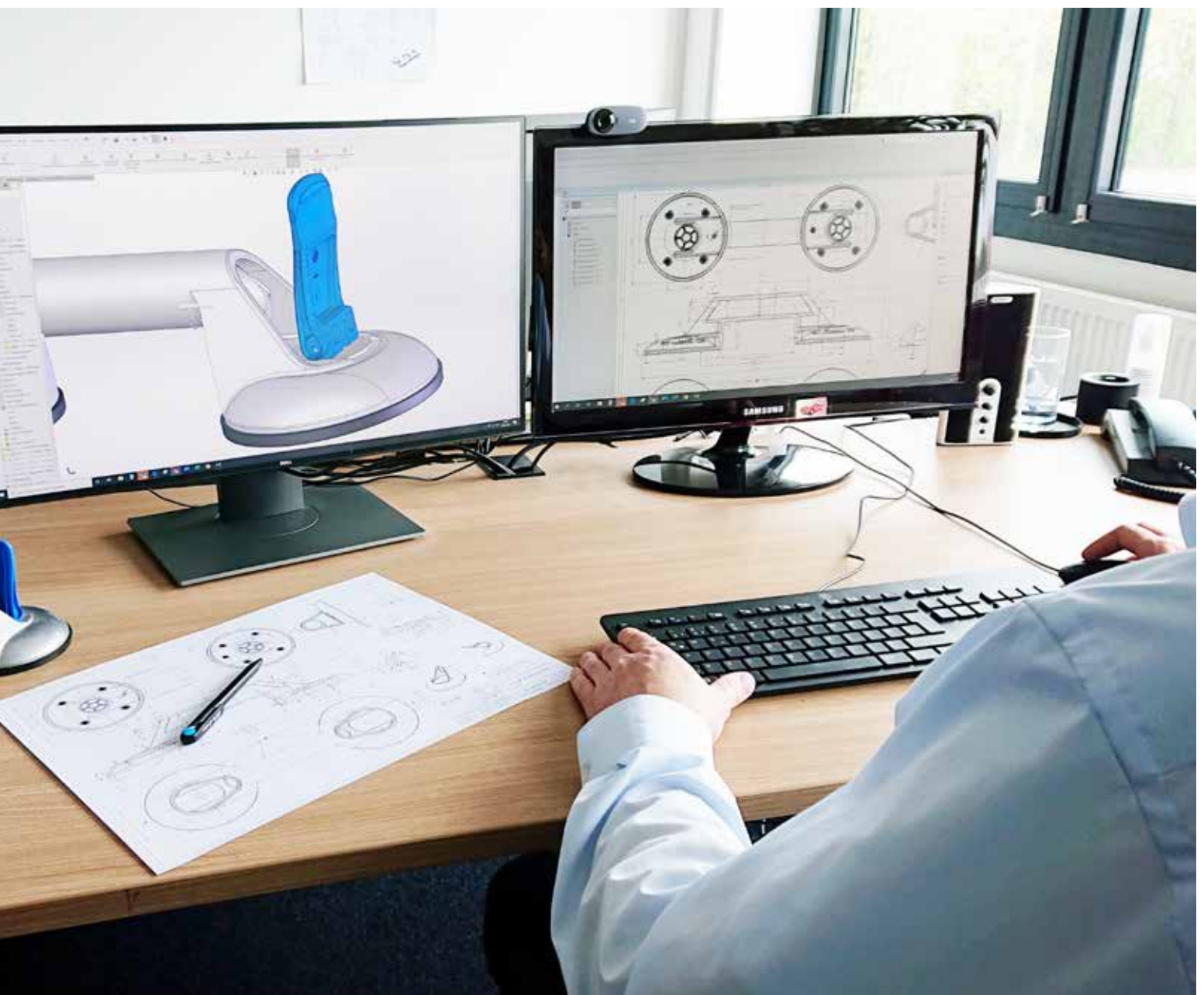
Liftmaster Quadro	34 - 37
Manual Lifting Systems	38
Liftmaster B1	39

70 Years of Engineering Art

Veribor® has been a quality brand of Bohle Group since 1953. This unique product development expertise is based on decades of experience. The sophisticated vacuum technology together with a special focus on safety and ergonomics is what our products stand for. When it comes to the selection of raw materials and the manufacturing processes, Bohle complies with highest quality standards.

Our Bohle in-house developments require team co-operation. It needs the joint efforts of the Manufacturing, Industrial Design and Product Management divisions to finally achieve the highest degree of functionality, shape, and safety.





The Veribor[®] Aluminium Series

Suction lifters made of aluminium are sturdy and extremely durable. Veribor[®] quality products require ongoing refinement to adapt to new applications and thus make work easier. Comfort, ergonomics, and design are the driving forces of the new Aluminium Series which leaves nothing to be desired. While the wide distance between the suction heads underlines the sturdy construction of the product, the minimalist design demonstrates clear-cut lines.



“The word handicraft is not a coincidence. Veribor[®] users indeed work with their hands. We support them in what they do with efficient tools. Our aim was to develop an aluminium suction lifter which stands out from all other suction lifters in the market. We literally wanted to redefine the product. And not only as far as its visual appearance is concerned. We put a big emphasis on comfort and ergonomics when doing handicrafts”, says product designer Marco Theissen.

Marco Theissen, product designer at Bohle

SAFE

Thanks to the larger suction heads, the pressure is ideally distributed along the outer suction pad area.

STURDY

The large washer enables an ideal distribution of force and in this way increased stability for the levers.

GOOD GRIP

The grip with its wider diameter rests comfortably in the hand and offers a large grip area thanks to its raised position.

CUSTOM-FIT

Depending on the application, simply turn the third lever by 90°, which will reduce the width of the suction lifter. The lever can be locked in three positions in total.

EASY TO OPERATE

The wide contact area of the levers enables an optimum distribution of force and makes engaging the lever as easy as can be – regardless of whether this is done with the thumb or the palm of the hand.



The Right Choice

From the beginning of Veribor® production in the mid-50s until today, Bohle has manufactured more than 200 different types of premium suction lifters and fixing aids. They all have their specific fields of application depending on carrying capacity and the surface to be transported. Bohle has a suitable solution for each sector and each industry: glaziers, carpenters, metalworkers, interior fitters, tilers, window builders, installers, gardening and landscaping companies, automotive companies, fitters, and many more. There is one thing, however, that all Veribor® suction lifters have in common: the highest standards of safe working.

RUBBER

The secret behind the rubber pad: We know the right degree of hardness for every application – PAH-free of course.



COMFORTABLE

The plastic suction lifters make your daily work easier.



STURDY

We use resilient and impact-resistant plastic which is capable to withstand highest loads and is therefore also used for motorcycle helmets. It is not only heat, oil, and weather-resistant, but also PAH-free.

DURABLE

Although the aluminium extraction requires a lot of energy, the light metal can be completely melted down and reused.

SOLID

Solid construction made of high quality aluminium – definitely without lead alloys.



Veribor®

Pump-Activated Suction Lifters



Veribor® Pump-Activated Suction Lifter, made of aluminium, in carrying case



DESCRIPTION	ART. NO.
Veribor® pump-activated suction lifter made of plastic	BO 601G
Spare tappet	BO 601G.P
Spare valve housing	BO 601G.V
Spare case	BO 601G.C
Spare suction pad incl. protective cover	BO 614.01G
Type of vacuum generation	Pump-Activated Suction Lifters
Load capacity	120 kg
Lifting direction	parallel
Material of suction lifter	plastic
Surface geometry	flat
Suction pad	ø 213 mm
Number of suction pads	1
Vacuum gauge	yes
GS certified	yes

i Veribor® is a quality brand of Bohle Group. The products are developed and manufactured exclusively in Germany – with a special focus on safety and ergonomics. They are free from carcinogenic hydrocarbon compounds (PAH).



Veribor® blue line Pump-Activated Suction Lifter with pressure gauge, in carrying case



i Pump-activated suction lifter made of sturdy aluminium with high load capacity. The vacuum is produced by pulling the hand pump repeatedly. The vacuum can be continuously monitored via the pressure gauge. Additional pumping can be done at any time. The vacuum is sufficient only when the needle of the pressure gauge is within the green range. Very high safety due to permanent visual monitoring of the vacuum. Suitable for all materials with plan, airtight surfaces. Special feature: TÜV (German Technical Inspection Agency) approved and certified with the GS sign.

DESCRIPTION	ART. NO.
Pump-Activated Suction Lifter	BO 601.1BL
Type of vacuum generation	Pump-Activated Suction Lifter
Load capacity	120 kg
Lifting direction	parallel
Material of suction lifter	aluminium
Surface geometry	flat
Suction pad	ø 214 mm
Number of suction pads	1
Vacuum gauge	yes
GS certified	yes

Veribor® Pump-Activated Suction Lifter, made of aluminium, in carrying case



i Pump-activated suction lifter made of sturdy aluminium with high load capacity for handling large objects. Handle with non-slip coating. The rounded pump tappet enables quick and easy operation and the red ring on the pump tappet enables permanent visual monitoring of the vacuum. The suction lifter lends itself to all materials with plan, airtight surfaces. The high quality of the suction lifter has been confirmed by TÜV (German Technical Inspection Agency) by granting it the GS sign.

DESCRIPTION	ART. NO.
Pump-Activated Suction Lifter	BO 601
Spare suction pad incl. protective cover	BO 614.01
Type of vacuum generation	Pump-Activated Suction Lifters
Load capacity	120 kg
Lifting direction	parallel
Material of suction lifter	aluminium
Surface geometry	flat
Suction pad	ø 213 mm
Number of suction pads	1
Vacuum gauge	yes
GS certified	yes



Veribor® Pump-Activated Suction Lifter, made of aluminium, in carrying case



i Pump-activated suction lifter made of sturdy aluminium for high loads. Handle with non-slip coating. The rounded pump tappet enables quicker and more convenient operation. The red ring on the pump tappet guarantees the permanent visual monitoring of the vacuum. The suction lifter is suitable for all materials with plan and airtight surfaces. Thanks to its softer rubber pad, the pump-activated suction lifter has an extended holding performance and is furthermore suitable for slightly textured surfaces.

DESCRIPTION	ART. NO.
Pump-Activated Suction Lifter	BO 601.45
Spare suction pad	BO 601.04
Spare valve housing	SP 6827.02K
Type of vacuum generation	Pump-Activated Suction Lifters
Load capacity	110 kg
Lifting direction	parallel
Material of suction lifter	aluminium
Surface geometry	textured
Suction pad	ø 214 mm
Number of suction pads	1
Vacuum gauge	yes
GS certified	no



Veribor® Pump-Activated Suction Lifter, made of aluminium, in carrying case



i Pump-activated suction lifter made of aluminium with special suction pad (220 mm) for curved or strongly textured surfaces · Due to its strongly curved rubber pad, this suction lifter must first be pressed firmly onto the respective surface, only then is the air between the surface and the rubber pad removed with the aid of the priming pump. The red ring on the pump tappet enables the permanent visual monitoring of the vacuum · working radius min. 500 mm

DESCRIPTION	ART. NO.
Pump-Activated Suction Lifter	BO 601.2
Spare suction pad	SP 6825.05
Spare valve housing	SP 6827.02K
Type of vacuum generation	Pump-Activated Suction Lifters
Load capacity	80 kg
Lifting direction	parallel
Material of suction lifter	aluminium
Surface geometry	curved · textured
Suction pad	ø 220 mm
Number of suction pads	1
Vacuum gauge	yes
GS certified	yes



Veribor® Aluminium Lever-Activated Suction Lifters



3-cup Veribor® Aluminium Suction Lifter Series 2021



DESCRIPTION	ART. NO.
Lever-Activated Suction Lifters	BO 603.021
Spare suction pad set	BO 614.021

Type of vacuum generation	Lever-Activated Suction Lifters
Load capacity	100 kg
Lifting direction	parallel
Material of suction lifter	aluminium
Surface geometry	flat
Suction pad	ø 120 mm
Number of suction pads	3
Vacuum gauge	no
GS certified	no

i High quality Veribor® suction lifter with three suction heads · 100 kg carrying capacity with two-fold safety factor · For all gastight surfaces · Made of lead-free aluminium · Free from carcinogenic hydrocarbon compounds (PAH) · Made in Germany



3-cup Veribor® Aluminium Suction Lifter Series 2021 in a set



INCLUDED IN DELIVERY:

2x BO 603.021
1x Case BO 5209418

	ART. NO.
	BO S3.021
Type of vacuum generation	Lever-Activated Suction Lifters
Load capacity	100 kg
Lifting direction	parallel
Material of suction lifter	aluminium
Surface geometry	flat
Suction pad	ø 120 mm
Number of suction pads	3
Vacuum gauge	no
GS certified	no

2-cup Veribor® Aluminium Suction Lifter Series 2021



i High quality Veribor® suction lifter with two suction heads · 60 kg carrying capacity with two-fold safety factor · For all gastight surfaces · Made of lead-free aluminium · Free from carcinogenic hydrocarbon compounds (PAH) · Made in Germany

DESCRIPTION	ART. NO.
Lever-Activated Suction Lifters	BO 602.421
Spare suction pad set	BO 614.021
Type of vacuum generation	Lever-Activated Suction Lifters
Load capacity	60 kg
Lifting direction	parallel
Material of suction lifter	aluminium
Surface geometry	flat
Suction pad	ø 120 mm
Number of suction pads	2
Vacuum gauge	no
GS certified	no



2-cup Veribor® Aluminium Suction Lifter Series 2021 in a set



INCLUDED IN DELIVERY:

2x 2-cup Suction Lifter BO 602.421
 1x Case BO 5209417

ART. NO.	
BO S2.421	
Type of vacuum generation	Lever-Activated Suction Lifters
Load capacity	60 kg
Lifting direction	parallel
Material of suction lifter	aluminium
Surface geometry	flat
Suction pad	ø 120 mm
Number of suction pads	2
Vacuum gauge	no
GS certified	no

Veribor® blue line 2-cup Suction Lifter, aluminium, transverse handle



LOAD CAPACITY · LIFTING DIRECTION · SURFACE GEOMETRY	ART. NO.
Lever-Activated Suction Lifters · 70 kg · parallel · flat	BO 602.0BL
Rubber pad with additional sealing lip · 50 kg · vertical · textured	BO 602.02BL
Type of vacuum generation	Lever-Activated Suction Lifters
Material of suction lifter	aluminium
Suction pad	ø 120 mm
Number of suction pads	2
Vacuum gauge	no
GS certified	no

i Suction lifter with lever and transverse handle for carrying and lifting different loads. The blue line series stands out due to its combination of modern, high-performance materials and the high stability of aluminium together with an ergonomic, user-friendly plastic handle. Suitable for all materials with flat and airtight surfaces. Optionally also available with an additional sealing lip for slightly curved or textured surfaces (BO 602.02BL). In addition, also optional spare rubber pads are available, supplied together with lever, spring, bolt and washer.



Veribor® blue line Suction Lifter Set



LOAD CAPACITY · LIFTING DIRECTION · SURFACE GEOMETRY	ART. NO.
70 kg · parallel · flat	BO S2.0BL

Suction pad	ø 120 mm
Number of suction pads	2
Vacuum gauge	no
GS certified	no

i These practical carrying cases are ideal for protecting and storing your Veribor® blue line lever-activated suction lifters safely. The cases have been designed to accommodate the specific suction lifters and thus protect them against damage. The case includes 2x BO 602.0BL Veribor® lever-activated suction lifters.

INCLUDED IN DELIVERY:

2x	Suction Lifters BO 602.0BL
1x	Carrying Case

Veribor® blue line 1-cup Suction Lifter, aluminium



DESCRIPTION · LOAD CAPACITY · SURFACE GEOMETRY	ART. NO.
Lever-Activated Suction Lifters · 30 kg · flat	BO 600.0BL
Rubber pad with additional sealing lip · 25 kg · textured	BO 600.02BL

Type of vacuum generation	Lever-Activated Suction Lifters
Lifting direction	vertical
Material of suction lifter	aluminium
Suction pad	ø 120 mm
Number of suction pads	1
Vacuum gauge	no
GS certified	no

i Suction lifter with folding lever for lifting different loads. The suction lifter can be equipped with an additional, optional sealing lip which lends itself to slightly curved or textured surfaces. In addition, spare rubber pads are also available if required, supplied together with lever, spring, bolt and washer · Optionally: A carrying case is available for protecting and storing your Veribor® blue line lever-activated suction lifter safely.



Veribor® blue line Suction Lifter Set



LOAD CAPACITY · SURFACE GEOMETRY	ART. NO.
30 kg · flat	BO S0.0BL
Material of suction lifter	aluminium
Suction pad	ø 120 mm
Number of suction pads	1

i These practical carrying cases are ideal for protecting and storing your Veribor® blue line lever-activated suction lifters safely. The cases have been designed to accommodate the specific suction lifters and thus protect them against damage. The carrying case includes 2x BO 600.0BL Veribor® lever-activated suction lifters.

INCLUDED IN DELIVERY:

2x	Suction Lifters BO 600.0BL
1x	Carrying Case

Veribor® Suction Lifter, with T-handle



DESCRIPTION	ART. NO.
Lever-Activated Suction Lifters	BO 608.0
Spare suction pad for BO 608.0	BO 615.0
Lifting direction	vertical
Material of suction lifter	aluminium
Surface geometry	flat
GS certified	no

i This suction lifter can lift almost any sheet material, no matter how textured its surface is. Due to its large, soft rubber pad, this Veribor® suction lifter ideally adapts itself to stone plates, chequer plates and structured floors · Press the suction lifter with the T-handle firmly onto the surface and engage the large lever. As soon as you notice the resistance caused by generating the vacuum, the rubber pad adapts itself to the surface.

Veribor® Suction Lifter with lateral handle



DESCRIPTION	ART. NO.
Lever-Activated Suction Lifters	BO 608.1
Spare suction pad for BO 608.1	BO 615.1
Lifting direction	parallel
Material of suction lifter	aluminium
Surface geometry	flat
GS certified	no

i This 1-cup suction lifter made of diecast aluminium with a large 180 mm Ø rubber pad allows carrying loads of up to 90 kg and is therefore ideally suited for carrying large and heavy loads, e.g. ground stone or metal plates.

Veribor® Plastic Lever-Activated Suction Lifters



Veribor® 3-cup Suction Lifter made of plastic



DESCRIPTION	ART. NO.
Veribor® 3-cup suction lifter made of plastic	BO 603.1G
Spare suction pad set	BO 614.3G

Type of vacuum generation	Lever-Activated Suction Lifters
Load capacity	90 kg
Lifting direction	parallel
Material of suction lifter	plastic
Surface geometry	flat
Suction pad	ø 120 mm
Number of suction pads	3
Vacuum gauge	no
GS certified	no



Veribor® 2-cup Suction Lifter made of plastic



DESCRIPTION	ART. NO.
Standard version	BO 602.1G
Stainless design	BO 602.11G
Spare suction pad set	BO 614.2G
Type of vacuum generation	Lever-Activated Suction Lifters
Load capacity	50 kg
Lifting direction	parallel
Material of suction lifter	plastic
Surface geometry	flat
Suction pad	ø 120 mm
Number of suction pads	2
Vacuum gauge	no
GS certified	no



Veribor® 2-cup Suction Lifter with swivel heads made of plastic



DESCRIPTION	ART. NO.
Veribor® 2-cup suction lifter with swivel heads made of plastic	BO 602.2G
Spare suction pad set	BO 614.2G
Type of vacuum generation	Lever-Activated Suction Lifters
Load capacity	35 kg
Lifting direction	parallel
Material of suction lifter	plastic
Surface geometry	curved
Suction pad	ø 120 mm
Number of suction pads	2
Vacuum gauge	no
GS certified	no



Veribor® 2-cup Suction Lifter with swivel heads and large rubber pads, made of plastic



DESCRIPTION	ART. NO.
Veribor® 2-cup suction lifter	BO 602.3G
Type of vacuum generation	Lever-Activated Suction Lifters
Load capacity	45 kg
Lifting direction	parallel
Material of suction lifter	plastic
Surface geometry	curved
Suction pad	ø 150 mm
Number of suction pads	2
Vacuum gauge	no
GS certified	no



Veribor® 3-cup Suction Lifter with swivel heads, large rubber pads and steel handle, made of plastic



DESCRIPTION	ART. NO.
Veribor® 3-cup suction lifter	BO 603.2G
Type of vacuum generation	Lever-Activated Suction Lifters
Load capacity	75 kg
Lifting direction	parallel
Material of suction lifter	plastic
Surface geometry	curved
Suction pad	ø 150 mm
Number of suction pads	3
Vacuum gauge	no
GS certified	no

i working radius min. 750 mm

Veribor® 1-cup Suction Lifter made of plastic



DESCRIPTION	ART. NO.
Standard version	BO 600.1G
Stainless design	BO 600.11G
Spare suction pad set	BO 614.1G

Type of vacuum generation	Lever-Activated Suction Lifters
Load capacity	25 kg
Lifting direction	vertical
Material of suction lifter	plastic
Surface geometry	flat
Suction pad	ø 120 mm
Number of suction pads	1
Vacuum gauge	no



All-Rubber Suction Lifter



Veribor® Suction Lifter with knob grip, all-rubber



LOAD CAPACITY - SUCTION PAD	ART. NO.
15 kg · ø 80 mm	BO 609.0
5 kg · ø 50 mm	BO 609.55

Material of suction lifter	all-rubber
Surface geometry	flat
Number of suction pads	1

All-Rubber Suction Lifter with two finger holes



LOAD CAPACITY - SUCTION PAD	ART. NO.
25 kg · ø 115 mm	BO 609.81
10 kg · ø 80 mm	BO 609.80

Material of suction lifter	all-rubber
Surface geometry	flat
Number of suction pads	1

Veribor® Suction Lifter with T-grip and ring



LOAD CAPACITY	ART. NO.
15 kg	BO 609.3
Lifting direction	vertical
Material of suction lifter	all-rubber
Surface geometry	flat
GS certified	no

All-Rubber Suction Lifter with finger hole



LOAD CAPACITY	ART. NO.
2 kg	BO 609.30
Lifting direction	vertical
Material of suction lifter	all-rubber
Surface geometry	flat
GS certified	no

All-Rubber Suction Lifter with finger hole



LOAD CAPACITY	ART. NO.
5 kg	BO 609.50
Lifting direction	vertical
Material of suction lifter	all-rubber
Surface geometry	flat
GS certified	no

PVC Suction Cup



	ART. NO.
	BO 6200.05
Suction pad	62 mm ø
Load capacity	5 kg
Lifting direction	vertical

i With connecting tube · 330 mm long · PVC suction cup with connecting hose as mounting and repair aid in the automotive sector

Fixing Aids



VetroLevel Fixing Aid with integrated spirit level

Small helper – great benefit: VetroLevel enables the quick horizontal positioning of glass panes. Fasten the little helper in a way that you can keep an eye on it during installation. The proven vacuum technology of the Veribor® suction pad holds it safely in place. Now you have both hands free to comfortably align the glass pane without the need for a spirit level. VetroLevel therefore ideally supports the installation of VetroMount® and is also perfectly suited for mounting all-glass showers or partition walls. No matter where you need to align a glass pane horizontally for mounting – VetroLevel is there to help. And if you want to use it on materials other than glass, the Veribor® suction pad can be attached to all smooth and gastight surfaces, making VetroLevel even more versatile.



i Suction pad \varnothing 90 mm · Temperature range -10°C - +40°C

	ART. NO.
	BO 5140450
Measuring application	Alignment



Veribor® Fixing Aid with ø 150 mm



TYPE OF FASTENING	ART. NO.
Ø 6.5 mm	BO 600.215
Torque	16 Nm
Material of Suction Lifter	aluminium
Surface geometry	curved
Vacuum gauge	no

i This universally applicable Veribor® suction lifter is suited for a wide range of uses: Whether for fixing mounting aids and templates for attaching cameras to vehicles – there are no limits for the operator. The 150 mm rubber pad also enables fixing and fastening objects to strongly curved and slightly textured surfaces. Of course, it is also available with vacuum gauge as an option (BO 600.215V). If this Type of rubber pad does not satisfy your requirements, please contact us. Your product range contains further products which can be equipped with this suction lifter.

Veribor® Fixing Aid with ø 150 mm and vacuum gauge



TYPE OF FASTENING	ART. NO.
Ø 6.5 mm	BO 600.215V
Torque	16 Nm
Material of suction lifter	aluminium
Surface geometry	curved

i This universal Veribor® suction lifter is suitable for a broad range of applications, whether for fixing mounting aids and templates, or for attaching cameras to vehicles, there are no limits to the user's demands. The 150 mm rubber pad enables fixing also to more strongly curved or slightly structured surfaces. The integrated vacuum gauge offers additional visible safety for the operator. Of course, the device is optionally also available without vacuum gauge (BO 600.215). If the rubber pads stated do not fit your requirements, please don't hesitate to contact us. Our range of products includes further rubber pads which can be used together with this lifter.

Veribor® Suction Lifter made of aluminium



SURFACE GEOMETRY · TYPE OF FASTENING	ART. NO.
flat · M10 x 1 Thread	BO 600.2G1
flat · M8 Thread	BO 600.2G2
Torque	16 Nm
Material of Suction Lifter	aluminium
Suction pad	ø 120 mm

i This universal Veribor® suction holder is suitable for the many diverse applications. Whether for fixing mounting aids and templates or fixing cameras to vehicles, there are no limits to the user's demands. The special, softer rubber pad enables a longer fixing duration.

Veribor® Suction Holder made of aluminium



SURFACE GEOMETRY · TYPE OF FASTENING	ART. NO.
flat · ø 6.5 mm	BO 600.20
flat · ø 6.5 mm	BO 600.20R
textured · ø 6.5 mm	BO 600.20S
Torque	16 Nm
Material of suction lifter	aluminium
Suction pad	ø 120 mm

i This universal Veribor® suction holder is suitable for the many diverse applications. Whether for fixing mounting aids and templates or fixing cameras to vehicles, there are no limits to the user's demands. The special, softer rubber pad enables a longer fixing duration.

Veribor® Suction Holder made of aluminium



	ART. NO.
	BO 600.20V
Torque	16 Nm
Material of suction lifter	aluminium
Surface geometry	flat
GS certified	yes

i This universally applicable Veribor® suction lifter is suitable for the most diverse range of uses. The especially soft rubber pad enables a longer holding duration and the additional vacuum indicator guarantees a permanent visual control of the vacuum level. If the vacuum of a suction lifter decreases during its use, this is announced by the indicator on the lever.

Veribor® Suction Holder with ball joint for fixing finished products



TORQUE · SUCTION PAD	ART. NO.
16 Nm · ø 120 mm	BO 600.24
8 Nm · ø 90 mm	BO 600.94
Material of suction lifter	aluminium
Surface geometry	flat
Type of fastening	M6 thread

i Veribor® suction holder with ball joint for fixing finished products · universal suction holder for measuring devices, displays, etc. · with 2 locking screws · suitable for all materials with flat and airtight surfaces

Veribor® Suction Holder made of aluminium



SURFACE GEOMETRY · TYPE OF FASTENING	ART. NO.
flat · \varnothing 6.6 mm	BO 600.90
flat · M8 thread	BO 600.92
Torque	8 Nm
Material of suction lifter	aluminium
Suction pad	\varnothing 90 mm

i For attaching mounting aids and templates · suitable for all materials with flat, airtight surfaces

Veribor® Suction Holder made of aluminium



	ART. NO.
	BO 600.90V
Torque	8 Nm
Material of suction lifter	aluminium
Surface geometry	flat
GS certified	yes
Type of fastening	\varnothing 6.5 mm

i This universally applicable Veribor® suction lifter is suitable for the most diverse range of uses, such as e.g. fixing mounting aids and templates. The additional vacuum indicator ensures a continuous visual control of the vacuum level. If the vacuum of a suction lifter decreases during its use, this is announced by the indicator on the lever.

Veribor® Suction Holder made of aluminium



SURFACE GEOMETRY · GS CERTIFIED	ART. NO.
flat · yes	BO 600.92V
Torque	8 Nm
Material of suction lifter	aluminium
Suction pad	\varnothing 90 mm
GS certified	yes
Type of fastening	M8 thread

i This universally applicable Veribor® suction lifter is suitable for the most diverse range of uses, such as e.g. fixing mounting aids and templates. The additional vacuum indicator ensures a continuous visual control of the vacuum level. If the vacuum of a suction lifter decreases during its use, this is announced by the indicator on the lever.

Veribor® Suction Holder with plastic stopper



DESCRIPTION	ART. NO.
With plastic stopper	BO 600.21
Torque	16 Nm
Material of suction lifter	aluminium
Surface geometry	flat
GS certified	no

i For all materials with flat and airtight surfaces · especially suitable for setting steps

Veribor® Plastic Suction Holder



DESCRIPTION	ART. NO.
Suction head	SP 6020.09
Material of suction lifter	plastic
Surface geometry	curved
Type of fastening	elongated hole 5.8 x 9.8 mm
GS certified	no

i Suitable for all materials with airtight surfaces · especially suitable for the transport of large curved surfaces such as windscreens for buses or lorries · working radius min. 750 mm · with elongated hole

Veribor® Suction Head made of plastic



	ART. NO.
	BO 6020.2G
Type of vacuum generation	Lever-Activated Suction Lifters
Material of suction lifter	plastic
Surface geometry	flat
Suction pad	ø 120 mm
Type of fastening	elongated hole 5.8 x 9.8 mm
Vacuum gauge	no
GS certified	no

i This versatile Veribor® suction head can be used for a wide range of applications for fixing end products, such as e.g. measuring devices or displays, and is suitable for all materials with flat, gastight surfaces.

Verifix® Suction Unit



SUCTION PAD · TYPE OF FASTENING	ART. NO.
ø 55 mm · M5 thread	BO 633.11
Rubber pad with release nubs ø 55 mm · M5 thread	BO 633.13
Rubber pad with release nubs ø 36.5 mm · ø 3.2 mm	BO 650.11
Material of suction lifter	aluminium
Surface geometry	flat

i Universal suction holder for quickly fixing all kinds of objects such as measuring devices, displays, etc. · suitable for all materials with flat and airtight surfaces · also suitable for constructing special holding devices

Silberschnitt® Straight Edge Holder



DESCRIPTION	ART. NO.
Standard version	BO 670.0
Adjustable stop bracket	BO 670.1
Unmounted product	BO 670.0U
Material of suction lifter	aluminium
Surface geometry	flat
Suction pad	ø 55 mm
GS certified	no

i Straight edges can be fixed using the straight edge holders stop bracket, thus making them suitable for carrying out long cuts. The stop bracket can also be adjusted precisely to the nearest millimetre. This suction holder is especially suited to fixing displays or other holding and fixing products. The suction holder can be optionally equipped with a height adjustable stopper (BO 670.1).

Suction Wall Hanger



DESCRIPTION	ART. NO.
Colour black	BO 672.10
Colour ivory	BO 672.0
Material of suction lifter	plastic
Surface geometry	flat · textured
GS certified	no

i Starting from an order quantity of 500 items, different colours can be chosen · available in black or white

Veribor® Suction Pads with internal threads



SUCTION PAD · TYPE OF FASTENING	ART. NO.
ø 80 mm · M8 thread	SP 6221.01
ø 80 mm · M6 thread	BO 6221.02
ø 55 mm · M6 thread	BO 6223.01

Surface geometry	flat
Vacuum gauge	no
GS certified	no

i Universal suction holder for quickly fixing objects · The vacuum is generated by simply pressing the suction holder onto the corresponding surface

PVC Suction Cup



	ART. NO.
	BO 6200.02

Surface geometry	flat
Suction pad	ø 37 mm
Type of fastening	M4 thread

i With M4 thread - 6 mm long

Veribor® Seaming Tool for clamping and repositioning



DESCRIPTION	ART. NO.
Single product	BO 650.30A
Seaming tool set with 2 x BO 650.30A in carrying case	BO 650.32A
Material of suction lifter	aluminium
Surface geometry	flat
Suction pad	ø 120 mm

i The ideal tool for pulling together or spreading apart large, flat, smooth sheets of material exactly to the millimetre. Especially suitable when bonding countertops. Suitable for all materials with flat, airtight surfaces like glass, plastic, metal, coated wood, marble, etc. The vacuum is generated by engaging the levers. With the rubber pad relaxed, the suction holders must be firmly pressed onto the work surface. When engaging the lever, you should noticeably feel the resistance produced by the vacuum. By turning the threaded handle the material can be drawn together or spread apart. If necessary, any height differences between the work pieces can be adjusted with the lateral eccentric lever. Also available as set in a carrying case: BO 650.32A

Veribor® Seaming Tool for clamping and repositioning



	ART. NO.
	BO 650.20
Material of suction lifter	plastic
Surface geometry	flat
Suction pad	ø 213 mm

i If necessary, any height differences between the work pieces can be adjusted with the lateral eccentric lever.

Carrying Aids



“Carry Clamp” Carrying Device



DESCRIPTION	ART. NO.
"Carry Clamp" Carrying Device	BO 5000200
Spare plate for Carry Clamp	BO 5000222

i As a new feature, the Bohle Carry Clamp is now equipped with a rubber coating with diamond-shape texture. This coating helps prevent wet materials from slipping, particularly crafted stone or marble. The transported goods are held safely with two clamps – the heavier the load, the stronger the clamping mechanism · Opening range up to 40 mm · Load capacity 160 kg per pair

Carpet Gripper



DESCRIPTION	ART. NO.
Jobo® carpet gripper	BO 619.9
Spare gripper plates for BO 619.9	BO 619.91

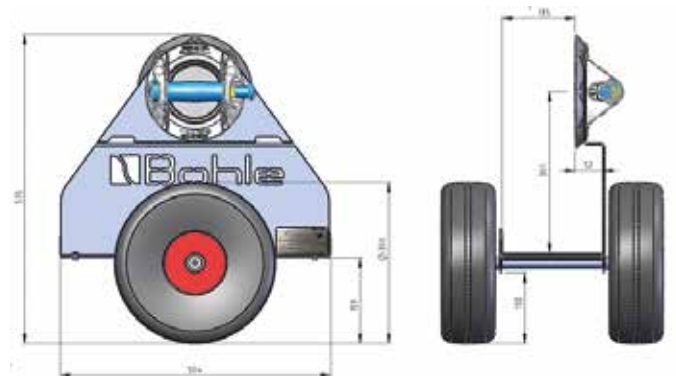
i Our aluminium JOBO Carpet Gripper is ideally suited for all carpeted double floors. By lifting the hand gear, the adjustable gripper plate moves inwards. By pressing it down, the spikes of the carpet gripper hook into the carpet and provide a secure grip for lifting the floor tiles. As the handle rests on the hand gear of the carpet gripper, it is exposed to permanent pressure during transport which prevents the carpet gripper from coming loose. In this way, the safe transport of the base plate is ensured. Once the gripper plate is worn, it can be replaced easily – simply order BO 619.91.

Veribor® Trolley with Suction Lifter



i Height 575 mm · Width 410 mm · Load capacity up to 300 kg · Minimum thickness of transported goods 3 mm · Maximum height of transported goods 2000 mm · Maximum length of transported goods 3000 mm

	ART. NO.
	BO 680.0
Load capacity	300 kg



Veribor® Wooden Glass Corner Holder



i The Veribor® Wooden Glass Corner Holder with built-in suction cup is ideally suited as corner protector when transporting glass or gastight sheets made of different materials · Our Veribor® Glass Corner Holder is simply slipped onto the corner to be protected and is fixed with the suction cup.

DESCRIPTION	ART. NO.
Panel thickness max. 30 mm	BO 680.30
Panel thickness max. 60 mm	BO 680.60
Suction pad	ø 120 mm



Lifting Equipment



Liftmaster Quadro – Vacuum Lifting Equipment

You can count on the new vacuum lifting equipment from Bohle - while a dual circuit vacuum system as per EN 13155 enables the safe use of the system in interior and exterior applications, a continuous handrail and a patented, centrally located control panel ensure a unique, intuitive operation. Thanks to the intelligent construction, all cables and lines are protected inside the housing. The construction of the vacuum lifter follows a modular principle: The four additional extension arms and the battery which can be exchanged with just a few simple steps, make the lifting system a versatile mounting aid.

Liftmaster Quadro 300 Vacuum Lifting Equipment



DESCRIPTION	ART. NO.
Liftmaster Quadro 300 vacuum lifting equipment	BO B30DA4
Type	Vacuum Lifting Equipment
Category	Bohle Vacuum Lifter
Load capacity	300 kg
Number of suction pads	4
Rotating	manual 360 °
Tilting	manual 90 °

i Can be rotated by 360° (with 12 locking positions) and tilted by 90° · Uninterrupted availability thanks to exchangeable battery · Acoustic and visual alerts in case of low battery and vacuum level · Splash-proof as per IPX4

INCLUDED IN DELIVERY:

- 1x BO B30DA4 Vacuum Lifter
- 1x SP 88.B0214 Battery 12V 3AH
- 1x SP 88.B0254 Charger 230-12V

Liftmaster Quadro 600 Vacuum Lifting Equipment

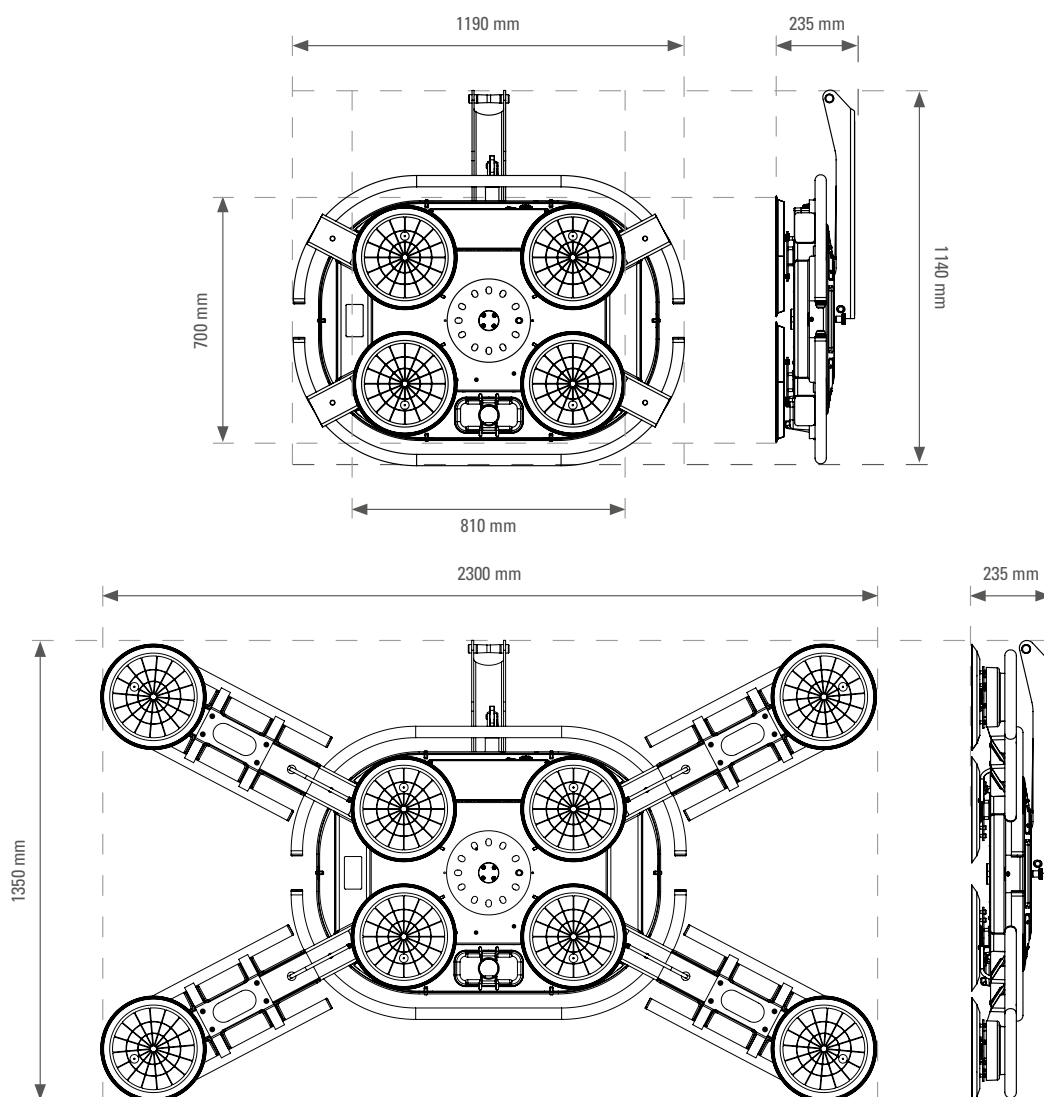


DESCRIPTION	ART. NO.
Liftmaster Quadro 600 vacuum lifting equipment	BO B60DA8
Type	Vacuum Lifting Equipment
Category	Bohle Vacuum Lifter
Load capacity	600 kg
Number of suction pads	8
Rotating	manual 360 °
Tilting	manual 90 °

i Can be rotated by 360° (with 12 locking positions) and tilted by 90° · Uninterrupted availability thanks to exchangeable battery · Acoustic and visual alerts in case of low battery and vacuum level · Splash-proof as per IPX4

INCLUDED IN DELIVERY:

- 1x BO B60DA8 Vacuum Lifter
- 4x BO 88.W0280 Extension arm including suction pad ø 305 mm
- 1x SP 88.B0214 Battery 12V 3AH
- 1x SP 88.B0254 Charger 230-12V



Liftmaster Quadro 400 Pro Vacuum Lifting Equipment



INCLUDED IN DELIVERY:

- 1x BO B40DA4 Vacuum Lifter
- 2x SP 88.B0214 Battery 12V 3AH
- 1x SP 88.B0254 Charger 230-12V

DESCRIPTION	ART. NO.
Liftmaster Quadro vacuum lifting equipment 400 Pro	BO B40DA4
Type	Vacuum Lifting Equipment
Category	Bohle Vacuum Lifter
Load capacity	400 kg
Number of suction pads	4
Rotating	manual 360 °
Tilting	manual 90 °

i Can be rotated by 360° (with 12 locking positions) and tilted by 90° · Uninterrupted availability thanks to exchangeable battery · Acoustic and visual alerts in case of low battery and vacuum level · Splash-proof as per IPX4 · digital outside temperature indicator · warning system with 4 signal lamps · TÜV-tested

Liftmaster Quadro 800 Pro Vacuum Lifting Equipment

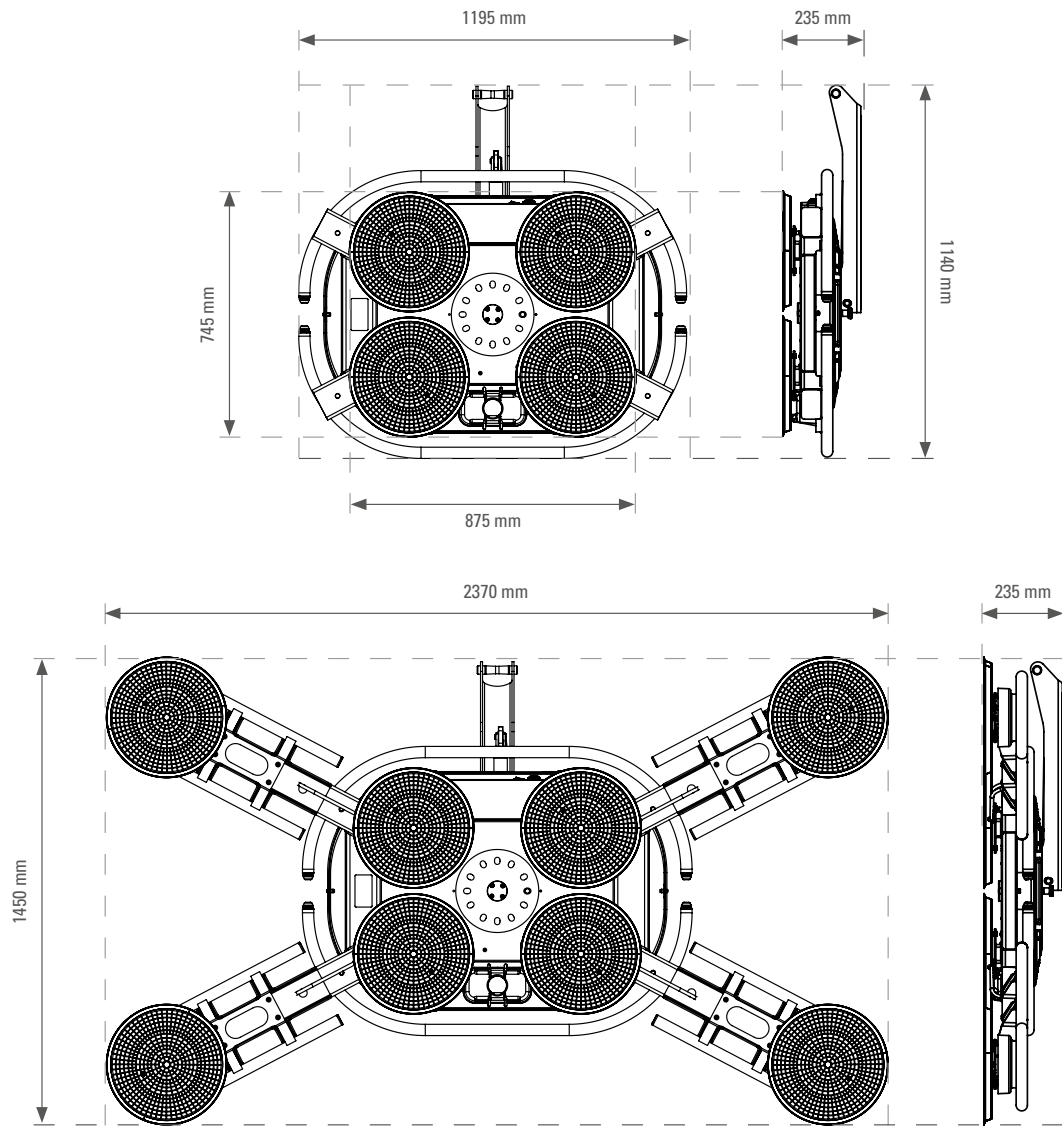


INCLUDED IN DELIVERY:

- 1x BO B80DA8 Vacuum Lifter
- 4x BO 88.AL360 Extension arm including suction pad ø 360 mm
- 2x SP 88.B0214 Battery 12V 3AH
- 1x SP 88.B0254 Charger 230-12V

DESCRIPTION	ART. NO.
Liftmaster Quadro 800 Pro vacuum lifting equipment	BO B80DA8
Type	Vacuum Lifting Equipment
Category	Bohle Vacuum Lifter
Load capacity	800 kg
Number of suction pads	8
Rotating	manual 360 °
Tilting	manual 90 °

i Can be rotated by 360° (with 12 locking positions) and tilted by 90° · Uninterrupted availability thanks to exchangeable battery · Acoustic and visual alerts in case of low battery and vacuum level · Splash-proof as per IPX4 · digital outside temperature indicator · warning system with 4 signal lamps · TÜV-tested

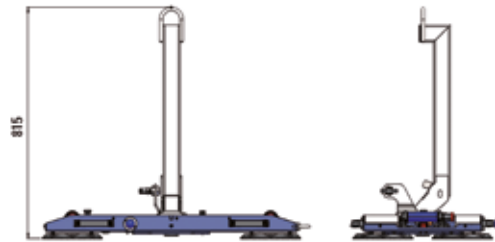
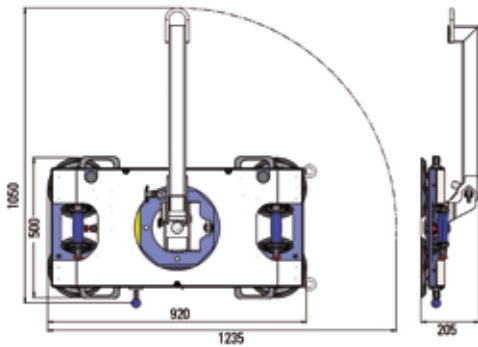


Manual Lifting Systems



DESCRIPTION	ART. NO.
Manual lifting systems	BO B18DM4GS
Type	Vacuum Lifting Equipment
Category	Bohle Vacuum Lifter
Load capacity	180 kg
Number of suction pads	4
Rotating	manual 360 °
Tilting	manual 90 °

i Vacuum indication via 2 vacuum gauges · Maximum operating altitude 1,680 m above sea level · Working temperatures 10° - +40° C · Dimensions 910 x 510 x 100 mm

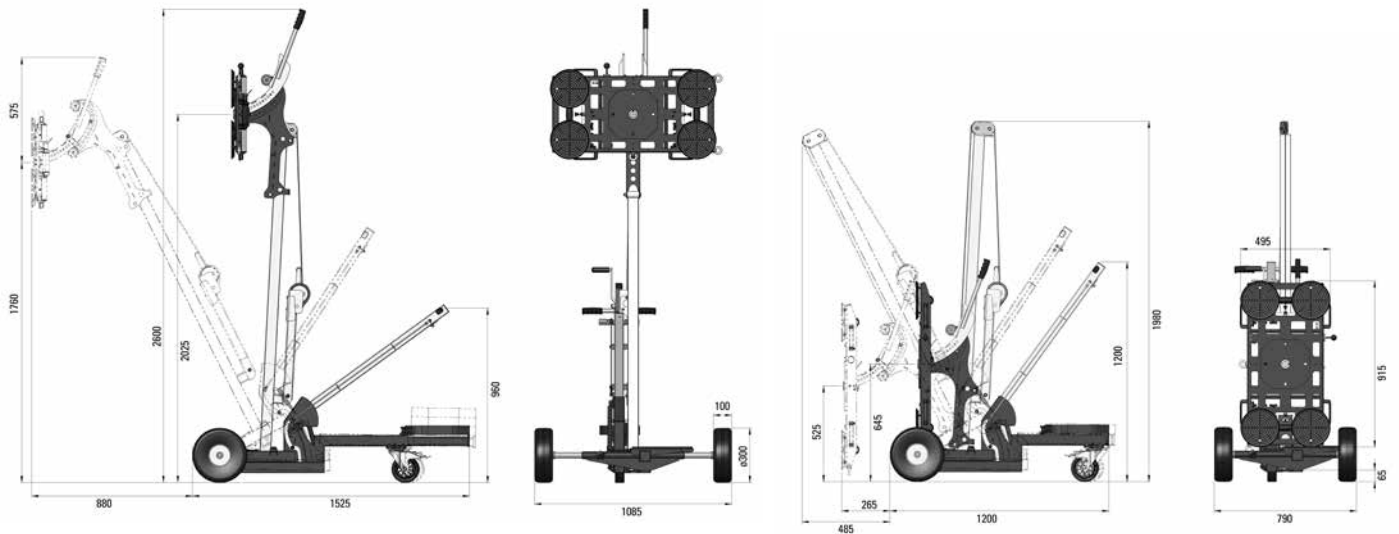


Liftmaster B1 Lifting System



DESCRIPTION	ART. NO.
Manual lifting systems	BO 88.01
Type	Handling aids
Category	Bohle Vacuum Lifter
Load capacity	180 kg
Number of suction pads	4
Rotating	manual 360 °
Tilting	manual 90 °

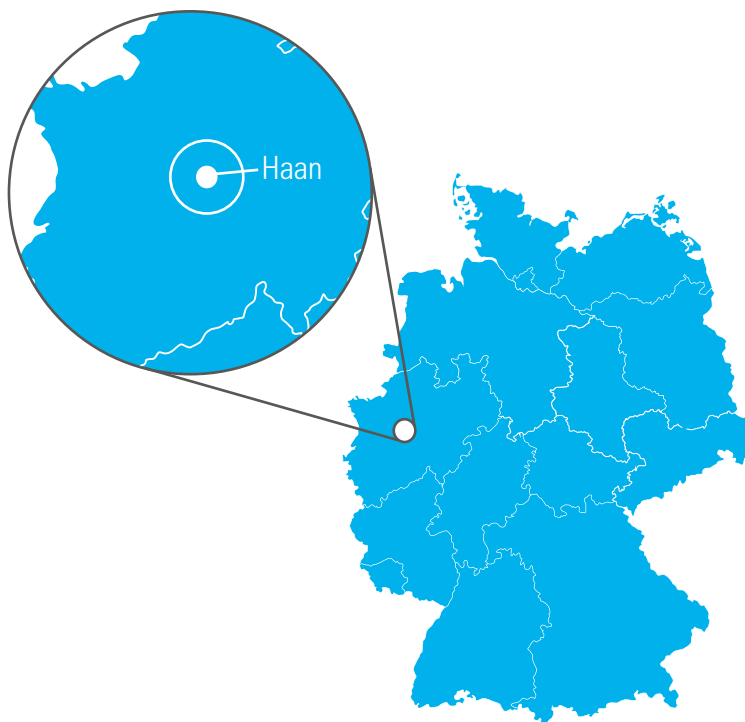
i Manual pumping · Length 1200 mm · Height 1950 mm · Width 800 mm (with extended axles for widening the gauge 1.1 m) · Includes vacuum lifter: can be rotated by 360° · can be removed very easily and used separately together with a crane · has a dual circuit vacuum system with 4 suction pads · is very flat and compact · is equipped with a vacuum indicator for monitoring the vacuum · the vacuum is generated via a hand pump, therefore ready for use at all times (no previous charging of batteries required) · weight of the lifting equipment approx. 22 kg



MADE IN GERMANY

It all starts with the in-house production of the rubber pads and ends with the manual assembly of the suction lifters. The production and the corresponding quality assurance take place in Haan, located in the German federal state of North Rhine-Westphalia. Even small individual parts, supplied by long-term partners, come from within a radius of 50 km. The result is a high quality Veribor® suction lifter that keeps its promises.

VERIBOR
MADE IN GERMANY

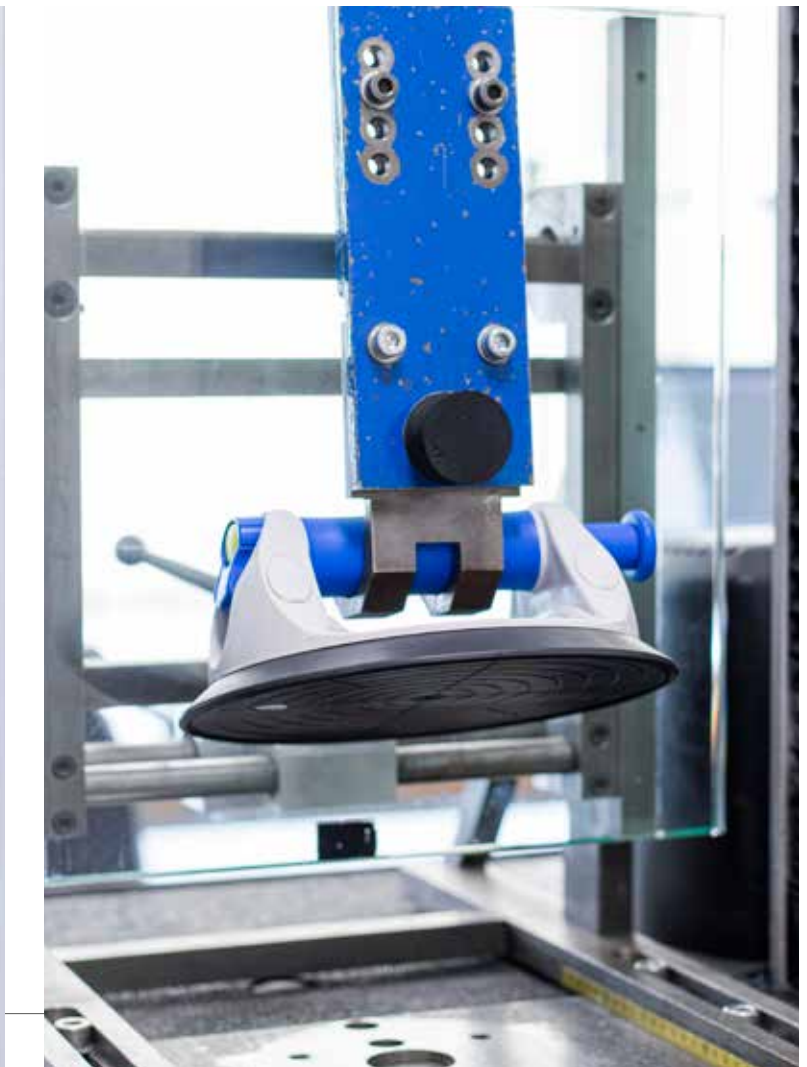


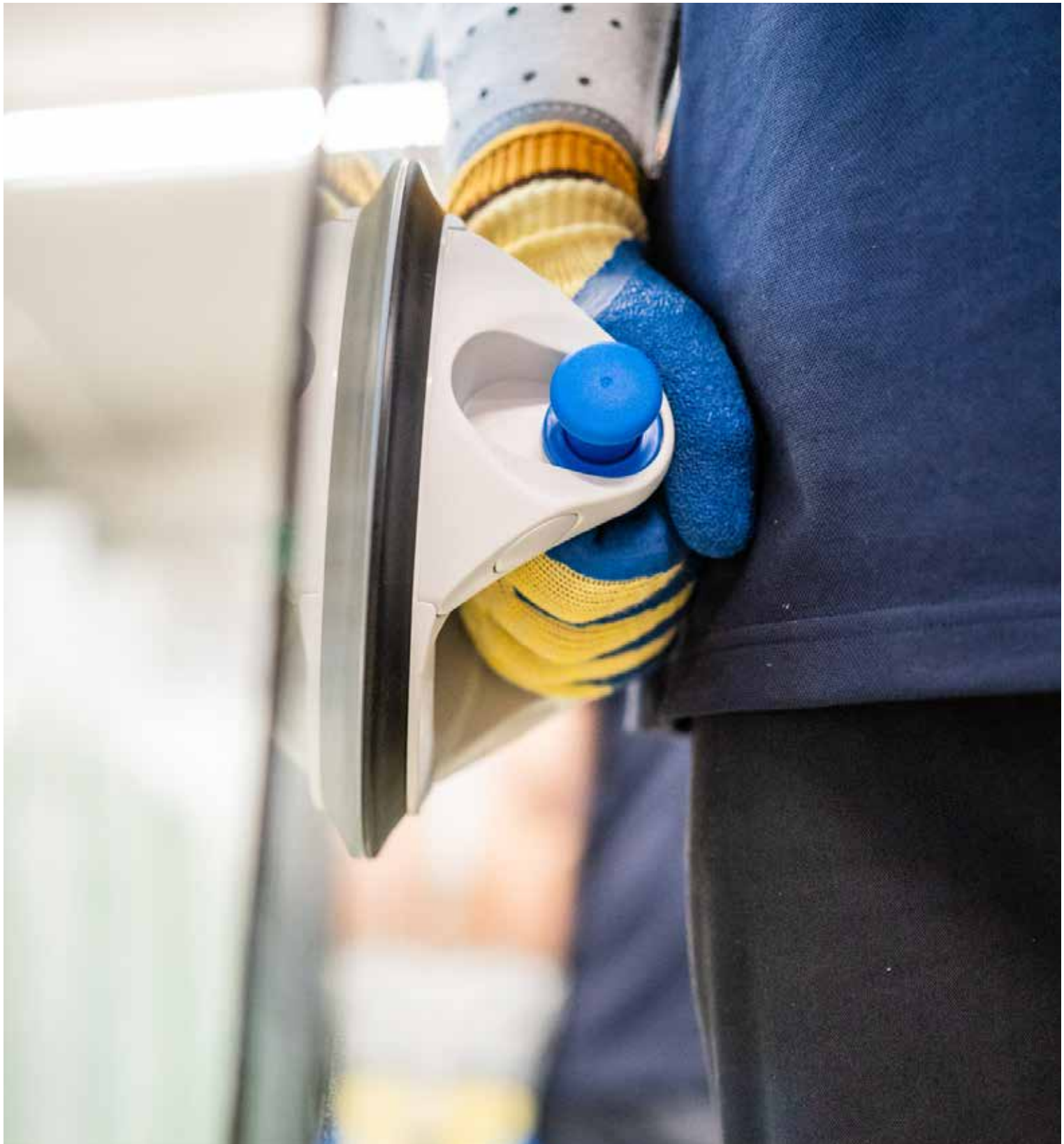


Convincing Safety

Do you work with Veribor® suction lifters on a daily basis? Then it is all the more important that the suction lifters have maximum load-ability and guarantee flexible working without risks. Your safety is in our hands. This is why all Veribor® components undergo our own, multi-stage quality checks. This includes, for instance, the separate vacuum check of valve bodies and rubber pads, or the tearing test in which the suction lifter must withstand twice the maximum load. Only if this is the case, the Veribor® suction lifter obtains its tested Bohle approval.







Bohle Ltd.
Fifth Avenue
Tameside Park
Dukinfield
Cheshire, SK16 4PP

T +44 161 3421100
F +44 161 3440111
Freephone Number: 0800 616151

info@bohle.ltd.uk
www.bohle.com

Bohle AG
Dieselstraße 10
42781 Haan
Germany

T +49 2129 5568-249
F +49 2129 5568-201

export@bohle.de
www.bohle.com

Bohle Glass Equipment (Pty) Ltd.
Unit 3, Graphite Industrial Park
Fabriek Street
Strijdom Park 2125
Gauteng

T +27 11 792-6430

info@bohle.co.za
www.bohle.com

 **Bohle**

