



The new generation of sliding glass door systems

MasterTrack[®] FT & BT

Maximum comfort. Minimal installation effort.

NEW STANDARDS IN TECHNOLOGY, DESIGN AND COMFORT

Modern interior design calls for holistic room concepts that combine minimalist design with maximum comfort.

While good design is recognisable at first glance, comfort is usually in the detail and only becomes clear with use.

This is also the case with the high-tech solution from MasterTrack®. The high-quality look of the system goes hand in hand with sophisticated sliding door technology. It is made up of three components: track, roller system and clamping mechanism, and makes both installation and use particularly easy.

Using sliding glass doors is not only a space-saving design device but they are also ideal as room dividers and visual features in generously designed living areas. This is the case for classic wall mounting, as a telescopic solution or for mounting flush with the ceiling.

With MasterTrack® you have the right system for every application.





MASTERTRACK® FT

MasterTrack® FT wall mounting	6 – 9
MasterTrack® FT ceiling mounting	10 – 15
MasterTrack® FT Accessories	16 – 17
MasterTrack® FT Black	18 – 19

MASTERTRACK® BT

MasterTrack® BT ceiling & wall mounting	20 – 21
MasterTrack® BT Telescopic	22 – 23
MasterTrack® BT flush ceiling	24 – 25
MasterTrack® BT Components	26 – 29

ADDITIONAL PRODUCTS

Sliding door handles	30 – 33
Handling	34
Tools	35

MASTERTRACK® FT

With MasterTrack® FT, Bohle offers a high-tech complete solution for sliding door systems that impresses with revolutionary running gear and noticeable smoothness. The special feature: The entire assembly requires only a few hand movements. The installation is therefore quick, intuitive and cost-saving.

Safe anti-jump protection

The protective mechanism ensures reliable protection against door jumping, even with a powerful swing.

Solid metal frame

The solid, continuous metal frame ensures that the damper always remains precisely in its guide.

Unique roller system

High-quality ball bearings and large castors ensure a noticeable lightness and unique smoothness.

Easy mounting from the front

Mounting is conveniently done from the front. From there, all adjustment options such as the height setting, the positioning of the cushioning and the anti-lift device can be reached quite comfortably.



MASTERTRACK® BT

The special design of the MasterTrack® BT sliding door series is used when the installation requires more than simple ceiling or wall mounting. With MasterTrack® BT's modular system, there are no limits to the room design. With only a few individual components and thanks to the compact track in which the glass suspension is located below the carriage, single and multi-leaf doors as well as flush ceiling designs can be installed in no time at all.

Compact running track

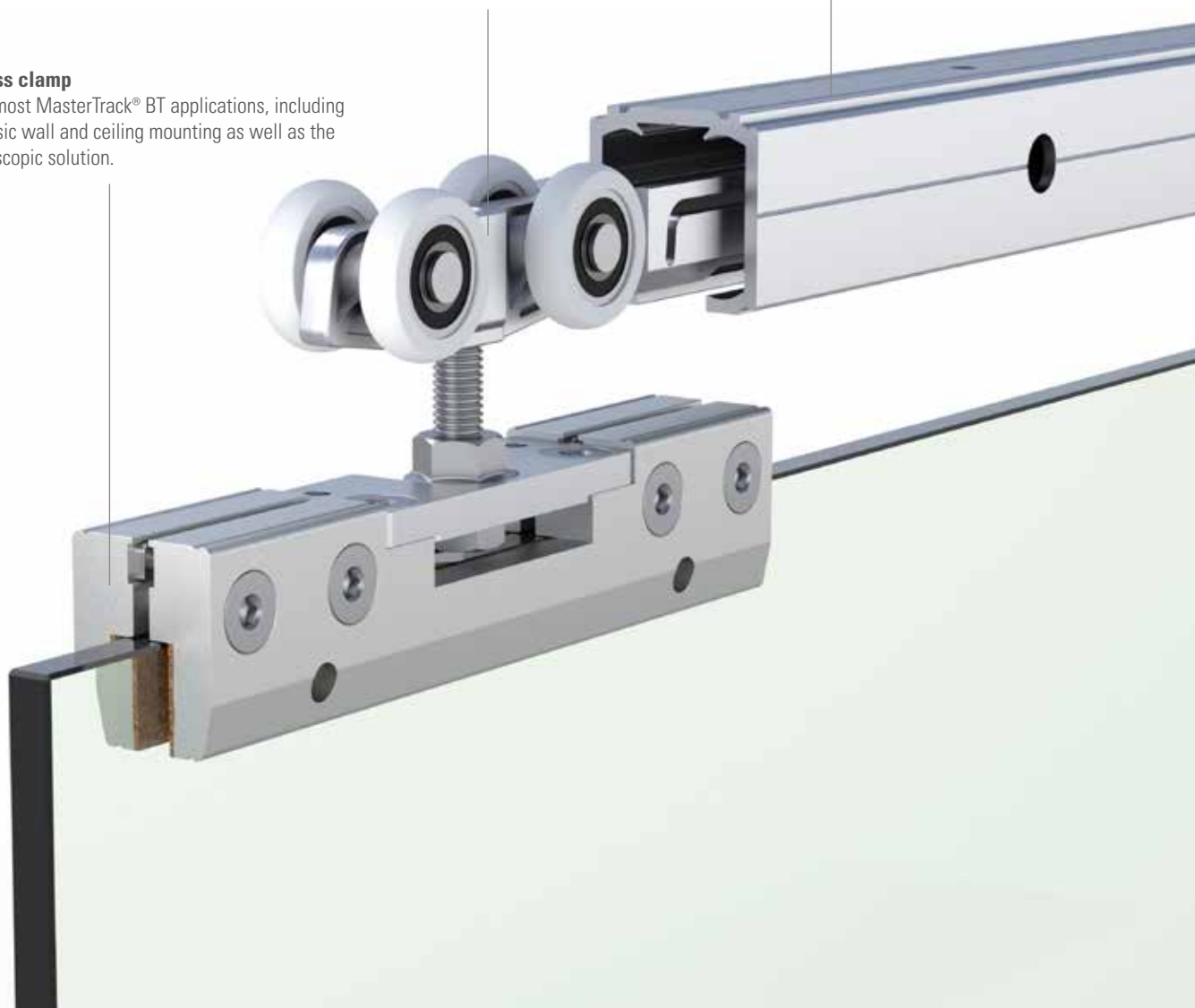
Suitable for various applications, e.g. as a two- or three-leaf telescopic solution or for flush ceiling installation.

Rollers with retraction damping

The sliding door is gently and smoothly slowed down in one movement by the dampers. One retraction damper replaces one standard runner.

Glass clamp

For most MasterTrack® BT applications, including classic wall and ceiling mounting as well as the telescopic solution.



With the glass mounting profile
you can also mount the sliding
door on glass.



MASTERTRACK® FT WALL MOUNTING



1-leaf wall mounting



1-leaf wall mounting on glass



2-leaf Synchro without fixed glazing
wall mounting



Product highlights

- Impressively smooth running
- Smooth closing mechanism
- Safe anti-jump protection
- Elegant appearance in the weight classes 60, 80, 120 and 150 kg
- Intuitive and cost-saving assembly
- All settings conveniently accessible from the front
- Modular design in all weight classes
- Metal shock absorbers with high-quality hydraulics and double-sided
- Synchronously opening systems possible



MasterTrack® FT 60 Set wall mounting



- Glass thickness door: tempered glass 8 - 12 mm, laminated safety glass 8.76 - 12.76 mm
- Minimum door width 600 mm
- Max. door weight 60 kg
- The running track is pre-drilled

LENGTH	FINISH	ART. NO.	SU
2000 mm	Aluminium-coloured E6 C0	BO 5762011	1x
2500 mm	Aluminium-coloured E6 C0	BO 5762511	1x
2000 mm	Stainless steel look E4 C31	BO 5762014	1x
2500 mm	Stainless steel look E4 C31	BO 5762514	1x
2000 mm	Black anodised E6 C35	BO 5762013	1x

INCLUDED IN DELIVERY:

1x Running Track	2x Damping Mechanism
1x Cover	1x Bottom Guide
2x Carriages	2x Cover Caps

MasterTrack® FT 80 Set wall mounting



- Glass thickness door: tempered glass 8 - 12 mm, laminated safety glass 8.76 - 12.76 mm
- Minimum door width 790 mm
- Max. door weight 80 kg
- The running track is pre-drilled

LENGTH	FINISH	ART. NO.	SU
2000 mm	Aluminium-coloured E6 C0	BO 5782011	1x
2500 mm	Aluminium-coloured E6 C0	BO 5782511	1x
3000 mm	Aluminium-coloured E6 C0	BO 5783011	1x
2000 mm	Stainless steel look E4 C31	BO 5782014	1x
2500 mm	Stainless steel look E4 C31	BO 5782514	1x
3000 mm	Stainless steel look E4 C31	BO 5783014	1x
3000 mm	Black anodised E6 C35	BO 5783013	1x

INCLUDED IN DELIVERY:

1x Running Track	2x Damping Mechanism
1x Cover	1x Bottom Guide
2x Carriages	2x Cover Caps

MasterTrack® FT Profile Set wall mounting



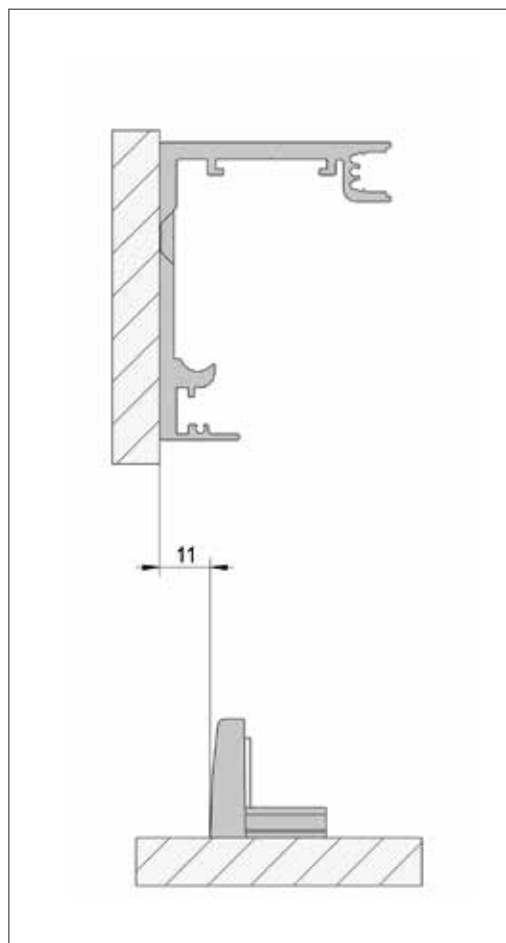
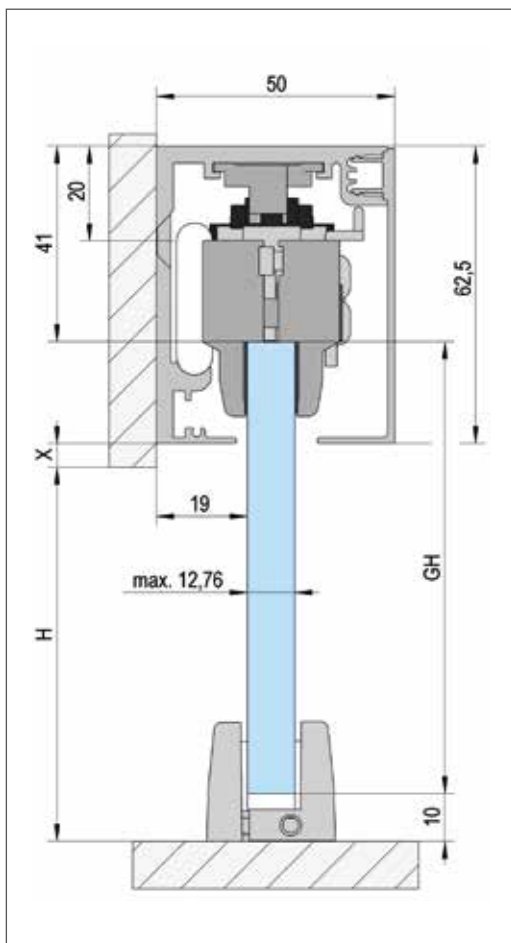
- The running track is pre-drilled

LENGTH	FINISH	ART. NO.	SU
3000 mm	Aluminium-coloured E6 C0	BO 5703011	1x
4000 mm	Aluminium-coloured E6 C0	BO 5704011	1x
6000 mm	Aluminium-coloured E6 C0	BO 5706011	1x
3000 mm	Stainless steel look E4 C31	BO 5703014	1x
4000 mm	Stainless steel look E4 C31	BO 5704014	1x
6000 mm	Stainless steel look E4 C31	BO 5706014	1x
4000 mm	Black anodised E6 C35	BO 5704013	1x

INCLUDED IN DELIVERY:

1x Running Track
1x Cover

DRAWINGS



Glass height (GH) = H + X + 11.5 mm

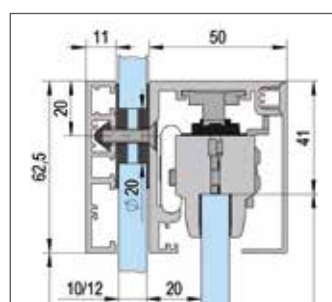
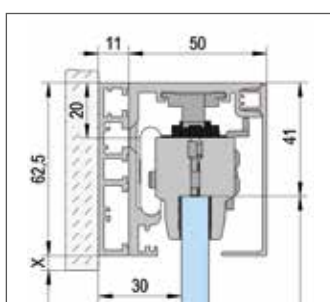
MasterTrack® FT Wall Distance Profile / Glass/wall Installation Profile



- Suitable for all Bohle MasterTrack® FT systems
- Can also be used for glass mounting
- For an additional wall clearance of 11 mm, for example for door frames and skirting boards.
- In addition to the profile, please order the corresponding number of accessory sets BO 5700007 or BO 5700008, depending on application and profile length.

LENGTH	FINISH	ART. NO.	SU
2000 mm	Aluminium-coloured E6 C0	BO 5702001	1x
4000 mm	Aluminium-coloured E6 C0	BO 5704001	1x
2000 mm	Stainless steel look E4 C31	BO 5702004	1x
4000 mm	Stainless steel look E4 C31	BO 5704004	1x

ACCESSORIES SET	ART. NO.	SU
Wall distance mounting accessory set for 2000 mm	BO 5700007	1x
Glass-wall mounting for 2000 mm	BO 5700008	1x





MASTERTRACK® FT CEILING MOUNTING



1-leaf without fixed glazing ceiling mounting



1-leaf with fixed glazing ceiling mounting



2-leaf Synchro without fixed glazing ceiling mounting

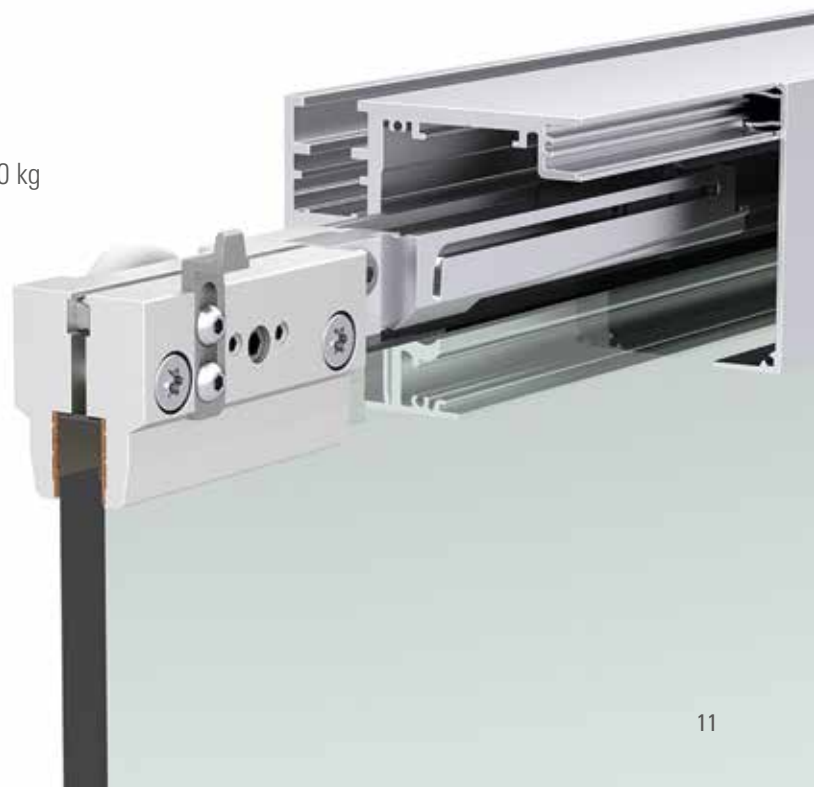


2-leaf Synchro with fixed glazing ceiling mounting



Product highlights

- Impressive running smoothness
- Exceptional ease of movement
- Smooth closing mechanism
- Safe anti-jump protection
- Elegant appearance in the weight classes 60, 80, 120 and 150 kg
- Intuitive and cost-saving assembly
- All settings conveniently accessible from the front
- Modular design in all weight classes
- Metal shock absorbers with high-quality hydraulics and double-sided
- Synchronously opening systems possible



MasterTrack® FT 60 Set ceiling mounting



- Glass thickness door: tempered glass 8 - 12 mm, laminated safety glass 8.76 - 12.76 mm
- Minimum door width 600 mm
- Max. door weight 60 kg
- The running track is pre-drilled

LENGTH	FINISH	ART. NO.	SU
2000 mm	Aluminium-coloured E6 C0	BO 5762021	1x
2500 mm	Aluminium-coloured E6 C0	BO 5762521	1x
2000 mm	Stainless steel look E4 C31	BO 5762024	1x
2500 mm	Stainless steel look E4 C31	BO 5762524	1x
2000 mm	Black anodised E6 C35	BO 5762023	1x

INCLUDED IN DELIVERY:

1x Running Track
1x Cover
2x Carriages

2x Damping Mechanism
1x Bottom Guide

MasterTrack® FT 80 Set ceiling mounting



- Glass thickness door: tempered glass 8 - 12 mm, laminated safety glass 8.76 - 12.76 mm
- Minimum door width 790 mm
- Max. door weight 80 kg
- The running track is pre-drilled

LENGTH	FINISH	ART. NO.	SU
2000 mm	Aluminium-coloured E6 C0	BO 5782021	1x
2500 mm	Aluminium-coloured E6 C0	BO 5782521	1x
3000 mm	Aluminium-coloured E6 C0	BO 5783021	1x
2000 mm	Stainless steel look E4 C31	BO 5782024	1x
2500 mm	Stainless steel look E4 C31	BO 5782524	1x
3000 mm	Stainless steel look E4 C31	BO 5783024	1x
3000 mm	Black anodised E6 C35	BO 5783023	1x

INCLUDED IN DELIVERY:

1x Running Track
1x Cover
2x Carriages

2x Damping Mechanism
1x Bottom Guide

MasterTrack® FT Profile Set ceiling mounting



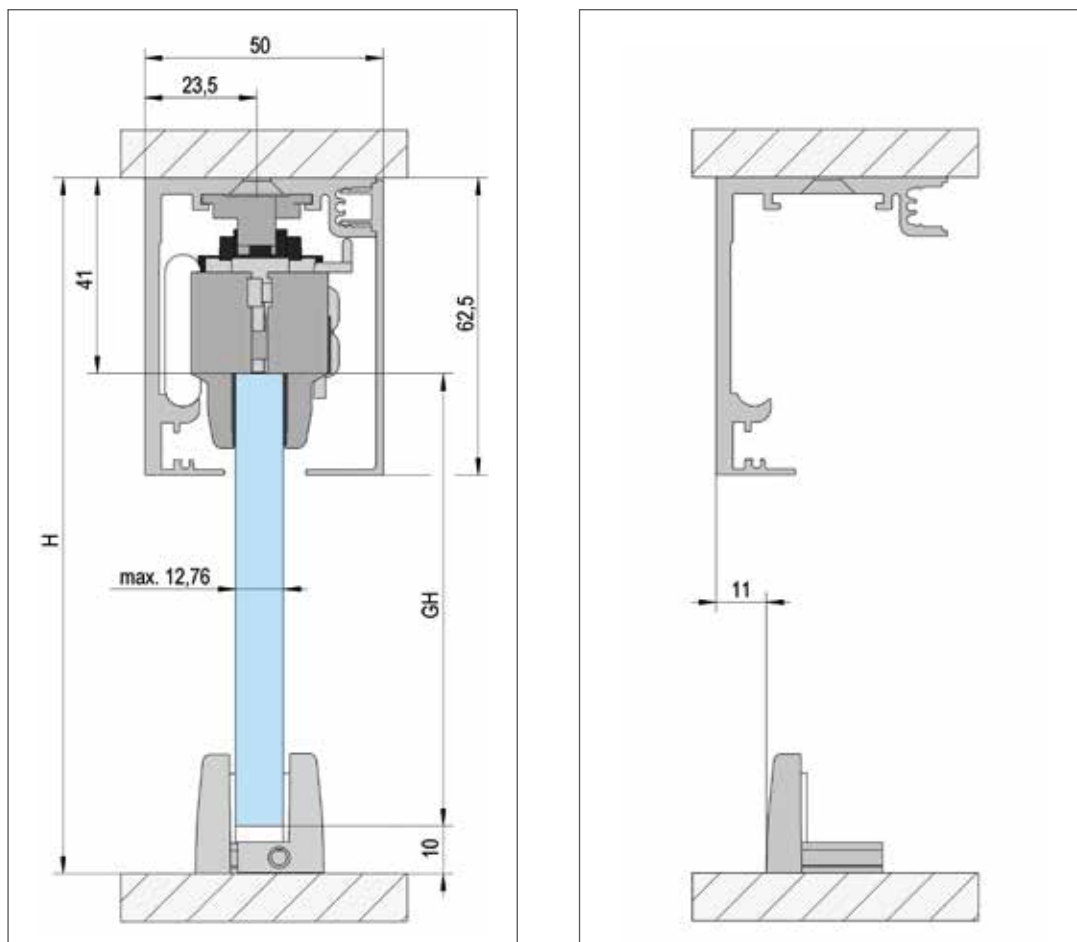
- The running track is pre-drilled

LENGTH	FINISH	ART. NO.	SU
3000 mm	Aluminium-coloured E6 C0	BO 5703021	1x
4000 mm	Aluminium-coloured E6 C0	BO 5704021	1x
6000 mm	Aluminium-coloured E6 C0	BO 5706021	1x
3000 mm	Stainless steel look E4 C31	BO 5703024	1x
4000 mm	Stainless steel look E4 C31	BO 5704024	1x
6000 mm	Stainless steel look E4 C31	BO 5706024	1x
4000 mm	Black anodised E6 C35	BO 5704023	1x

INCLUDED IN DELIVERY:

1x Running Track
1x Cover

DRAWINGS



Glass height (GH) = H - 51 mm

MasterTrack® FT 60 Set ceiling mounting with Fixed Sidelight



- Glass thickness door: tempered glass 8 - 12 mm, laminated safety glass 8.76 - 12.76 mm
- Glass thickness Fixed Sidelight: ESG 8 - 10 mm, VSG 8.76 - 10.76 mm
- Minimum door width 600 mm
- Max. door weight 60 kg
- The running track is pre-drilled

LENGTH	FINISH	ART. NO.	SU
2000 mm	Aluminium-coloured E6 C0	BO 5762031N	1x
2000 mm	Stainless steel look E4 C31	BO 5762034N	1x
2000 mm	Black anodised E6 C35	BO 5762033	1x

INCLUDED IN DELIVERY:

1x Running Track	2x Damping Mechanism
1x Cover	1x Bottom Guide
2x Carriages	1x Snapframe standard for fixed sidelight profile

MasterTrack® FT 80 Set ceiling mounting with Fixed Sidelight



- Glass thickness door: tempered glass 8 - 12 mm, laminated safety glass 8.76 - 12.76 mm
- Glass thickness Fixed Sidelight: ESG 8 - 10 mm, VSG 8.76 - 10.76 mm
- Minimum door width 790 mm
- Max. door weight 80 kg
- The running track is pre-drilled

LENGTH	FINISH	ART. NO.	SU
2000 mm	Aluminium-coloured E6 C0	BO 5782031N	1x
3000 mm	Aluminium-coloured E6 C0	BO 5783031N	1x
2000 mm	Stainless steel look E4 C31	BO 5782034N	1x
3000 mm	Stainless steel look E4 C31	BO 5783034N	1x
3000 mm	Black anodised E6 C35	BO 5783033	1x

INCLUDED IN DELIVERY:

1x Running Track	2x Damping Mechanism
1x Cover	1x Bottom Guide
2x Carriages	1x Snapframe standard for fixed sidelight profile

MasterTrack® FT Profile Set ceiling mounting with Fixed Sidelight



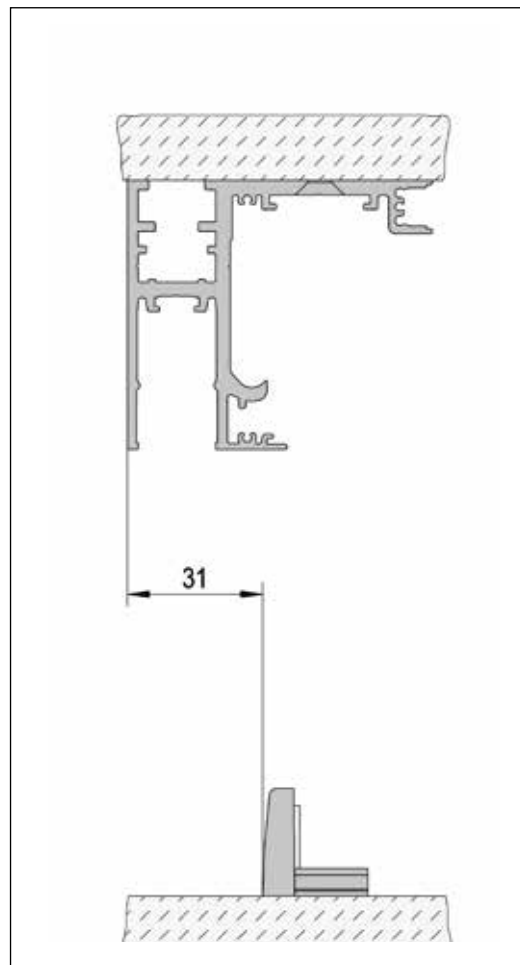
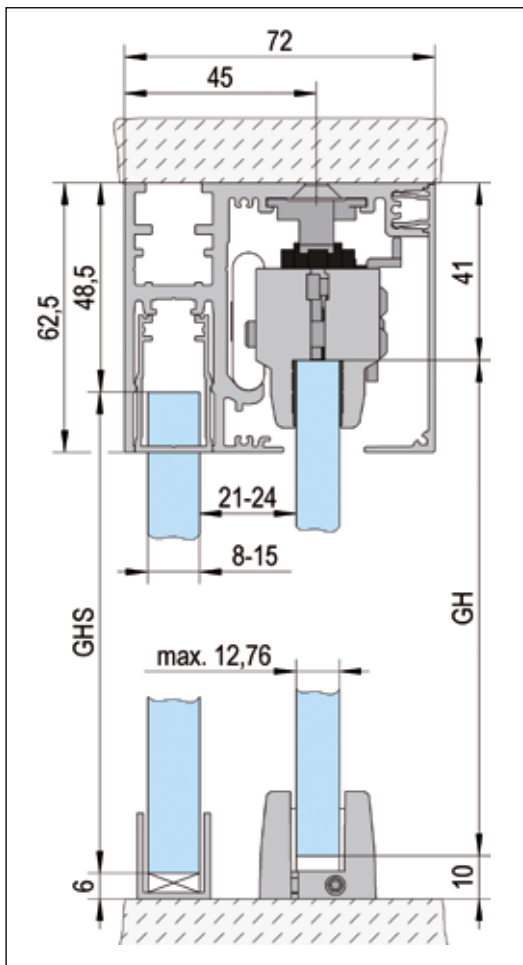
- The running track is pre-drilled

LENGTH	FINISH	ART. NO.	SU
3000 mm	Aluminium-coloured E6 C0	BO 5703031N	1x
4000 mm	Aluminium-coloured E6 C0	BO 5704031N	1x
6000 mm	Aluminium-coloured E6 C0	BO 5706031N	1x
3000 mm	Stainless steel look E4 C31	BO 5703034N	1x
4000 mm	Stainless steel look E4 C31	BO 5704034N	1x
6000 mm	Stainless steel look E4 C31	BO 5706034N	1x
4000 mm	Black anodised E6 C35	BO 5704033	1x

INCLUDED IN DELIVERY:

1x Running Track
1x Cover
1x Snapframe standard for fixed sidelight profile

DRAWINGS



Glass height (GH) = H - 51 mm
Fixed sidelight (GHS) = H - 55 mm

MasterTrack® FT Accessories

MasterTrack® FT Bottom Guide



FINISH	ART. NO.	SU
Aluminium-coloured E6 C0	BO 5700005	1x
Stainless steel look E4 C31	BO 5700024	1x
Black anodised E6 C35	BO 5700010	1x

INCLUDED IN DELIVERY:
1x Bottom Guide

MasterTrack® FT Cover Caps Set



DIMENSIONS	FINISH	ART. NO.	SU
50 x 62.5 mm	Aluminium-coloured E6 C0	BO 5700011	1x
50 x 62.5 mm	Stainless steel look E4 C31	BO 5700014	1x
50 x 62.5 mm	Black anodised E6 C35	BO 5700013	1x

INCLUDED IN DELIVERY:
2x Side Caps

MasterTrack® FT Cover Caps Set for ceiling mounting with Fixed Sidelight



DIMENSIONS	FINISH	ART. NO.	SU
72 x 62.5 mm	Aluminium-coloured E6 C0	BO 5700031N	1x
72 x 62.5 mm	Stainless steel look E4 C31	BO 5700034N	1x
72 x 62.5 mm	Black anodised E6 C35	BO 5700033N	1x

INCLUDED IN DELIVERY:
2x Side Caps

MasterTrack® FT Pair of End-stoppers



- for use without Damping Mechanism

ART. NO.	SU
BO 5700009	1x

INCLUDED IN DELIVERY:
2x End stoppers

MasterTrack® FT Synchro Accessory Set



- Suitable for all Bohle MasterTrack® FT systems
- Minimum wing widths for Synchro:
 - for 60 kg min. 675 mm
 - for 80 kg min. 865 mm
 - for 120 kg min. 980 mm
 - for 150 kg min. 980 mm

ART. NO.	SU
BO 5700020	1x

INCLUDED IN DELIVERY:
1x Synchronous converter sets

MasterTrack® FT Spare Damper



- incl. release bolt

MAX. DOOR WEIGHT	ART. NO.	SU
60 kg	BO 5706001	1x
80 kg	BO 5708001	1x
150 kg	BO 5701501	1x

INCLUDED IN DELIVERY:
1x Damping Mechanism, 1x Release Bolt

MasterTrack® FT carriage set incl. Damping Mechanism



- Glass thickness door: tempered glass 8 - 12 mm, laminated safety glass 8.76 - 12.76 mm
- Glass thickness Fixed Sidelight: tempered glass 8 - 10 mm, laminated glass 8.76 - 10.76 mm
- Can be used to upgrade complete sets to double door systems

MAX. DOOR WEIGHT · DESCRIPTION	ART. NO.	SU
60 kg · Minimum door width 600 mm	BO 5706000	1x
80 kg · Minimum door width 790 mm	BO 5708000	1x
120 kg · Minimum door width 905 mm	BO 5701200	1x
150 kg · Minimum door width 905 mm	BO 5701500	1x

INCLUDED IN DELIVERY:
2x Carriages
2x Damping Mechanism
2x Trigger for Damping Mechanism

U-Channels 20 x 17



- Size 20 x 17 x 20 x 1.5 mm
- Glass thickness 10 - 12.76 mm
- Material Aluminium

LENGTH	FINISH	ART. NO.	SU
2500 mm	Aluminium-coloured anodised E6 EV1	BO 6703434	1x
5000 mm	Aluminium-coloured anodised E6 EV1	BO 6703446	1x
2500 mm	Stainless steel look anodised E4 C31	BO 6703435	1x
5000 mm	Stainless steel look anodised E4 C31	BO 6703448	1x
5000 mm	Black anodised E6 C35	BO 5201580B	1x



MASTERTRACK® FT BLACK

Shapes and colours determine the individual style of every room. With MasterTrack® FT in anodised black (E6 / C35), you set strong accents in the design. The black fittings stand out from their surroundings and become real eye-catchers.



MasterTrack® FT 60 Set

- See page 8 or 12



MasterTrack® FT 80 Set

- See page 8 or 12



MasterTrack® FT 60 Set with Fixed Sidelight

- See page 14



MasterTrack® FT 80 Set with Fixed Sidelight

- See page 14



MasterTrack® FT Profile Set

- See page 8 or 12



MasterTrack® FT Profile Set with Fixed Sidelight

- See page 14



MasterTrack® FT Cover Caps Set

- See page 16



MasterTrack® FT Bottom Guide

- See page 16



U-Channels 20 x 17

- See page 17



Sliding Door Handles

- See page 31 & 33





Variante



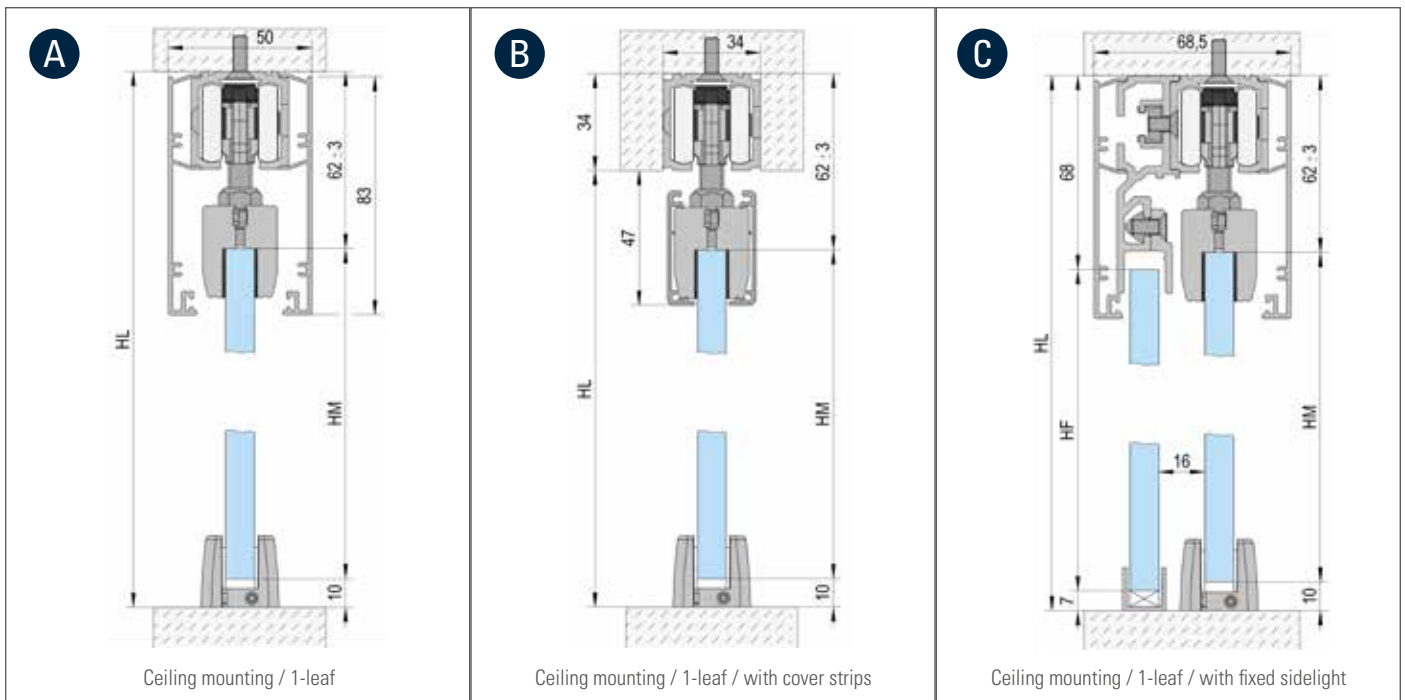
MASTERTRACK® BT

CEILING & WALL MOUNTING

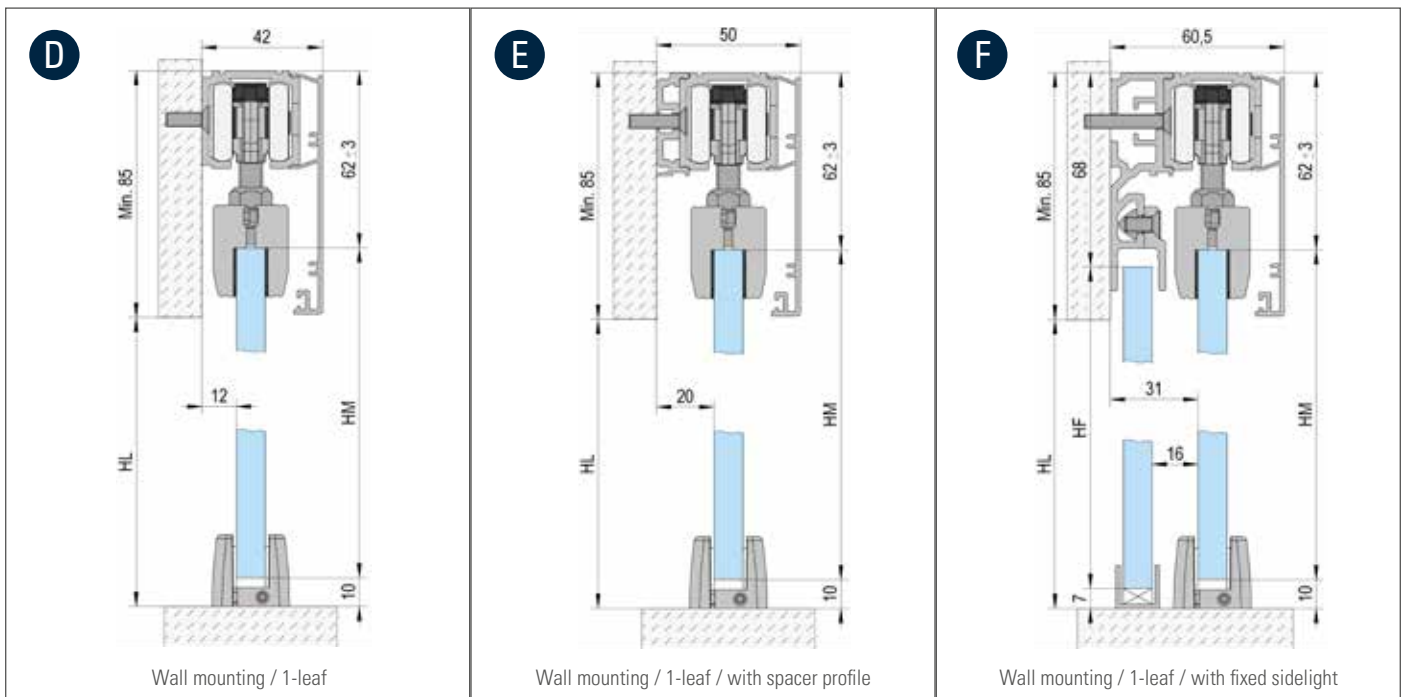
Product highlights

- Simple glass clamping mechanism for a secure hold
- Installation with and without fixed glazing
- Height adjustment +/- 3 mm
- Smooth closing mechanism
- Safe anti-jump protection
- Optional metal damper with high-quality hydraulics and double-sided spring guide
- Synchronous opening possible





Glass height (HM) = HL - 70 mm / Fixed sidelight (HF) = HL - 75 mm



Glass height (HM) = HL + 15 mm / fixed glass part (HF) = HL + 10 mm

PRODUCT	ART. NO.	A	B	C	D	E	F
Running Track 2/3/4/6m	BO 5802011/5803011/5804011/5806011	1x	1x	1x	1x	1x	1x
Supplementary profile for fixed sidelights 2m	BO 5802031			*			*
Snapframe and cover caps for pair of glass clamps	BO 5801271		1x				
Wall distance profile	BO 5802061					*	
Carriages	BO 5800002	1x	1x	1x	1x	1x	1x
Carriages incl. damping mechanism**	BO 5800060/5800080/5800120	2x**	2x**	2x**	2x**	2x**	2x**
Glass clamp	BO 5800001	2x	2x	2x	2x	2x	2x
Cover 83 mm height 2/3/4/6m	BO 5802021/5803021/5804021/5806021	2x		2x	1x	1x	1x
Bottom guide	BO 5700005	1x	1x	1x	1x	1x	1x
U-Channels 2.5/5m	BO 6703434/6703446			1x			1x

** Quantity depends on the length of the Running Track

** Alternative to roller unit BO 5800002 - The roller units are integrated in the retractable dampers. To install damping on both sides, two carriages are replaced by two retractable dampers..



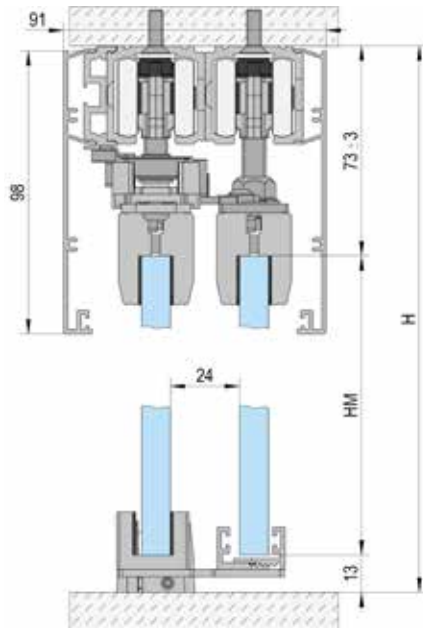
MASTERTRACK® BT TELESCOPIC SOLUTION

Product highlights

- Simultaneous movement of double or triple leaf doors
- Floating floor guide
- Simple glass clamping mechanism for a secure hold
- Installation with or without fixed glazing
- Height adjustment +/-3 mm
- Smooth closing mechanism
- Safe anti-jump protection
- Optional metal damper with high-quality hydraulics and double-sided spring guide

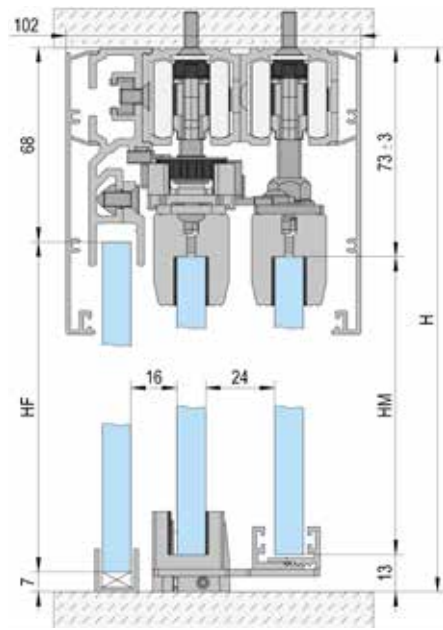


A



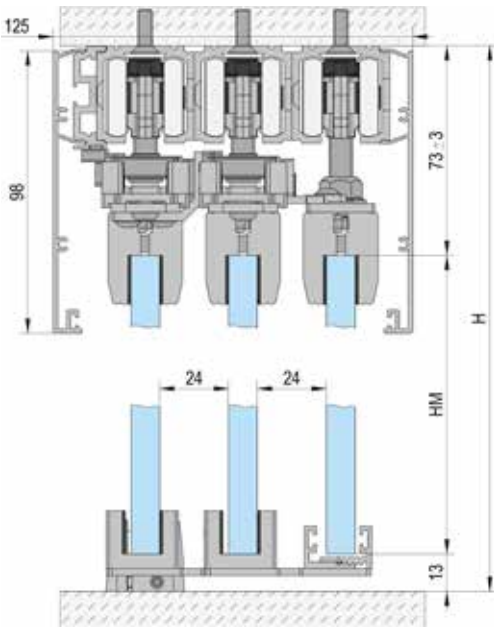
Ceiling mounting / 2-leaf

B



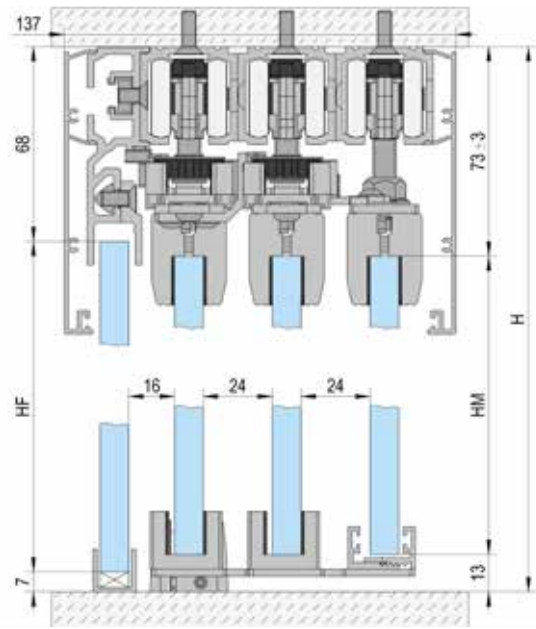
Ceiling mounting / 2-leaf / with fixed glazing

C



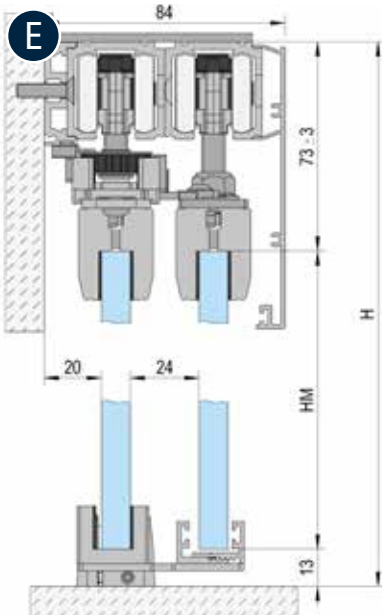
Ceiling mounting / 3-leaf

D



Ceiling mounting / 3-leaf / with fixed glazing

E



Wall mounting / 2-leaf

Glass height (HM) = H - 87 mm / Fixed sidelight (HF) = H - 75 mm

PRODUCT	ART. NO.	A	B	C	D	E
Running Track 2/3/4/6m	BO 5802011/5803011/5804011/5806011	2x	2x	3x	3x	2x
Supplementary profile for fixed sidelights 2m	BO 5802031		*		*	
Wall distance profile	BO 5802061	*	*			*
Accessory Set Telescope 2 doors	BO 5800006	1x	1x			1x
Accessory Set Telescope 3 doors	BO 5800007			1x	1x	
Carriages	BO 5800002	2x	2x	3x	3x	2x
Carriages incl. damping mechanism**	BO 5800060/5800080/5800120	4x**	4x**	6x**	6x**	4x**
Glass clamp	BO 5800001	4x	4x	6x	6x	4x
Cover 98 mm height 2/3/4/6m	BO 5802041/5803041/5804041/5806041	2x	2x	2x	2x	1x
Bottom guide	BO 5700005	1x	1x	1x	1x	1x
Adaptor for wall mounting	BO 5800010					*
U-Channels 2.5/5m	BO 6703434/6703446		1x		1x	

* Quantity depends on the length of the runner.

** Alternative to roller unit BO 5800002 - The roller units are integrated in the retractable dampers. To install damping on both sides, two carriages are replaced by two retractable dampers.

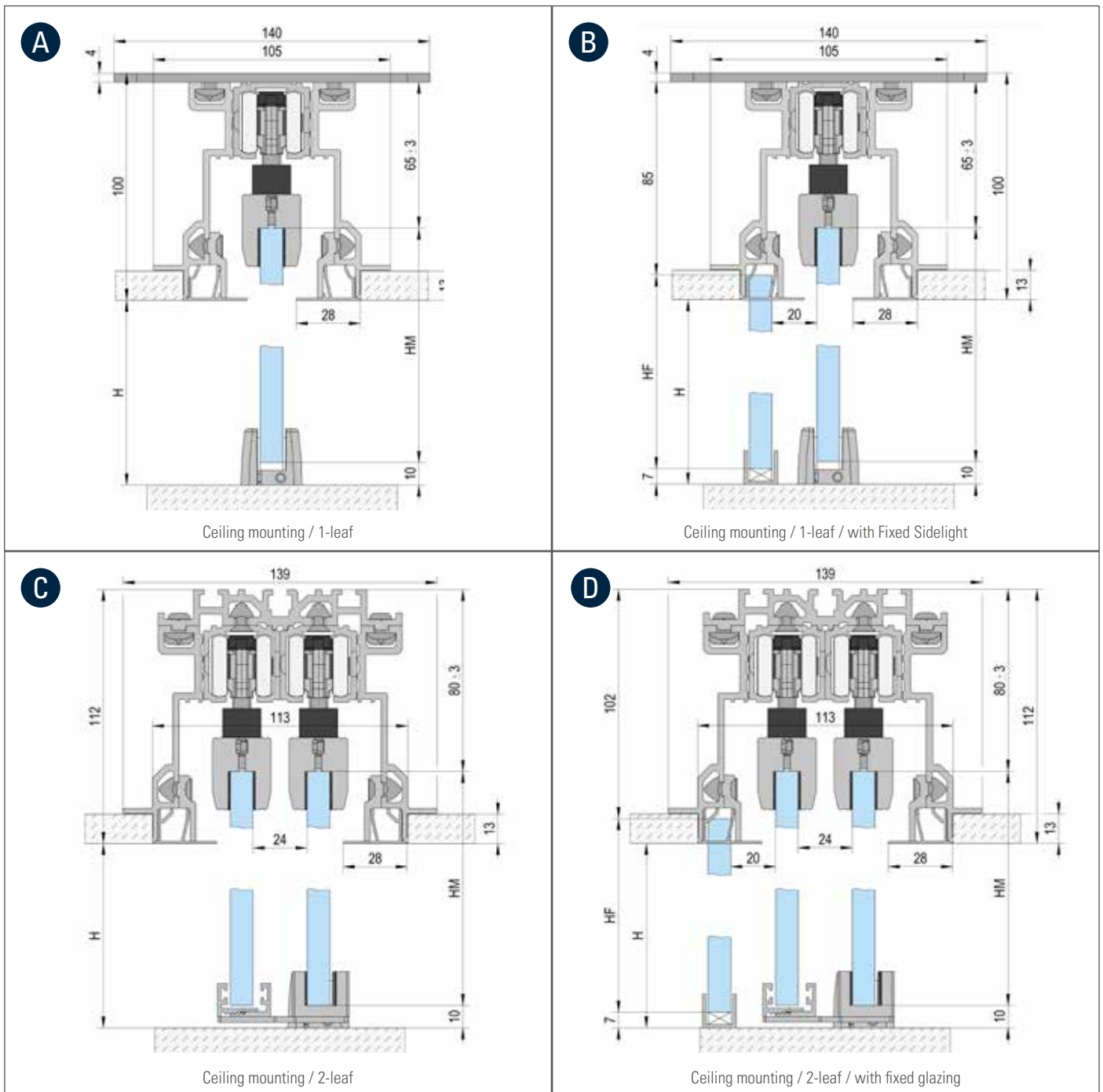


MASTERTRACK® BT FLUSH MOUNTING

Product highlights

- Installation with and without fixed glazing
- Simple glass clamping mechanism for secure hold
- Height adjustment ± 3 mm
- Smooth closing mechanism
- Safe anti-jump protection
- Revision of components possible at any time
- Floating floor guide with two-lane solution
- 2-leaf version incl. driver function
- Optional metal damper with high-quality hydraulics and double-sided spring guide





Glass height (HM) = H + 11 mm

Glass fixed part (HF) = H + 4 mm

PRODUCT	ART. NO.	A	B	C	D
Running Track 2/3/4/6m	BO 5802011/5803011/5804011/5806011	1x	1x	2x	2x
Profile Set for installation flush with the ceiling 1-flg. 3/6m	BO 5803051/5806051	1x	1x		
Profile Set for installation flush with the ceiling 2-flg. 3/6m	BO 5803061/5806061			1x	1x
Carriages	BO 5800002	1x	1x	2x	2x
Carriages incl. damping mechanism*	BO 5800060/5800080/5800120	2x*	2x*	4x*	4x*
Glass clamp set for flush installation on the ceiling for one door	BO 5800011	1x	1x		
Glass clamp set for flush installation on the ceiling for two doors	BO 5800012			1x	1x
U-Channels 2.5/5m	BO 6703434/6703446		1x	1x	

* Alternative to BO 5800002 bogie - The bogies are integrated in the retractable dampers. To install damping on both sides, two carriages are replaced by two retractable dampers.

MasterTrack® BT Components

MasterTrack® BT Running Track



The running tracks of the MasterTrack® BT series are versatile in use, e.g. as telescopic application with two or three doors or for flush installation with the wall or ceiling. In addition, it can be used for classical wall or ceiling installations.

- Max. door weight 120 kg
- Suitable for all MasterTrack® BT applications

APPLICATION	LENGTH	FINISH	ART. NO.	SU
Standard / Telescopic	2000 mm	Aluminium-coloured E6 C0	BO 5802011	1x
Standard / Telescopic	3000 mm	Aluminium-coloured E6 C0	BO 5803011	1x
Standard / Telescopic	4000 mm	Aluminium-coloured E6 C0	BO 5804011	1x
Standard / Telescopic	6000 mm	Aluminium-coloured E6 C0	BO 5806011	1x

MasterTrack® BT Cover



Cover for attachment to the MasterTrack® BT running track. Suitable for standard wall and ceiling mounting applications.

APPLICATION	LENGTH	HEIGHT	FINISH	ART. NO.	SU
Standard	2000 mm	83 mm	Aluminium-coloured E6 C0	BO 5802021	1x
Standard	3000 mm	83 mm	Aluminium-coloured E6 C0	BO 5803021	1x
Standard	4000 mm	83 mm	Aluminium-coloured E6 C0	BO 5804021	1x
Standard	6000 mm	83 mm	Aluminium-coloured E6 C0	BO 5806021	1x

Cover for attachment to the MasterTrack® BT running track. Suitable for standard wall and ceiling mounting applications.

APPLICATION	LENGTH	HEIGHT	FINISH	ART. NO.	SU
Telescopic	2000 mm	98 mm	Aluminium-coloured E6 C0	BO 5802041	1x
Telescopic	3000 mm	98 mm	Aluminium-coloured E6 C0	BO 5803041	1x
Telescopic	4000 mm	98 mm	Aluminium-coloured E6 C0	BO 5804041	1x
Telescopic	6000 mm	98 mm	Aluminium-coloured E6 C0	BO 5806041	1x

MasterTrack® BT Supplementary Profile for Fixed Sidelights



This supplementary profile can be attached either to one or both sides of the MasterTrack® BT running track and enables inserting and stabilising fixed sidelights.

- Max. door weight 120 kg
- Glass thickness: 8 - 10 mm

APPLICATION	LENGTH	FINISH	ART. NO.	SU
Standard / Telescopic	2000 mm	Aluminium-coloured E6 C0	BO 5802031	1x

MasterTrack® BT Wall Distance Profile



The wall distance profile increases the distance between wall and glass by 8 mm.

- Max. door weight 120 kg

APPLICATION	LENGTH	FINISH	ART. NO.	SU
Standard / Telescopic	2000 mm	Aluminium-coloured E6 C0	BO 5802061	1x

MasterTrack® BT Profile Set for installation flush with the ceiling



The MasterTrack® profile set includes all required profiles for flush ceiling installation with one guide, including two optional retainers for fixed glazings

- Max. door weight 120 kg
- Includes support profile for fixed sidelights

APPLICATION	LENGTH	FINISH	ART. NO.	SU
Installation for one door	3000 mm	Aluminium-coloured E6 C0	BO 5803051	1x
Installation for one door	6000 mm	Aluminium-coloured E6 C0	BO 5806051	1x
Installation for two doors	3000 mm	Aluminium-coloured E6 C0	BO 5803061	1x
Installation for two doors	6000 mm	Aluminium-coloured E6 C0	BO 5806061	1x

MasterTrack® BT Snapframe and Cover Caps for pair of Glass Clamps



Special snapframes and cover caps which can be directly attached to the glass clamps. As this running track does not have a separate cover, it can be integrated (and therefore concealed) into the ceiling. Important: Please order the pair of glass clamps (BO 5800001) separately (not included in delivery).

- Max. door weight 120 kg
- Glass thickness door: 8 - 12.76 mm

APPLICATION	LENGTH	FINISH	ART. NO.	SU
Standard	1240 mm	Aluminium-coloured E6 C0	BO 5801271	1x

MasterTrack® BT Cover Caps



The cover caps included in the MasterTrack® BT Series can be mounted quickly and easily. They are available in different sizes depending on the application.

APPLICATION	DIMENSIONS	FINISH	ART. NO.	SU
Standard / Telescopic	85 x 42 mm	Aluminium-coloured E6 C0	BO 5804281	1x
Standard / Telescopic	85 x 50 mm	Aluminium-coloured E6 C0	BO 5805081	1x
Standard / Telescopic	85 x 60.5 mm	Aluminium-coloured E6 C0	BO 5806081	1x

MasterTrack® FT Bottom Guide



APPLICATION	FINISH	ART. NO.	SU
Standard	Aluminium-coloured E6 C0	BO 5700005	1x

MasterTrack® BT Carriages



High quality carriage for all MasterTrack® BT applications

- Max. door weight 120 kg

APPLICATION	ART. NO.	SU
Standard / Telescopic / Flush with the ceiling	BO 5800002	1x

MasterTrack® BT Glass Clamp



Glass clamp for most MasterTrack® BT applications, including classic wall and ceiling installations, and telescopic applications.

- Max. door weight 120 kg
- Glass thickness door: 8 - 12.76 mm

APPLICATION	ART. NO.	SU
Standard / Telescopic	BO 5800001	1x

MasterTrack® BT Glass Clamp Sets for installation flush with the ceiling



Glass clamps for mounting MasterTrack® BT flush with the ceiling in combination with Profile Sets for flush mounting. The set also includes the bottom guide for one door.

- Max. door weight 120 kg
- Glass thickness: 8 - 10 mm
- Includes Bottom Guide

APPLICATION	ART. NO.	SU
Flush with the ceiling for 1 door leaf	BO 5800011	1x
Flush with the ceiling for 2 door leaves	BO 5800012	1x

MasterTrack® BT Carriages incl. Damping Mechanism



Optional metal dampers for all MasterTrack® BT applications.

Equipped with hydraulics and double-sided spring guidance. The sliding door is braked by the damper in one smooth, fluid movement. A self-closing damper replaces a standard carriage.

Minimum door width:

60 kg: cushioning on one side = 500mm / cushioning on both sides = 625mm

80 kg: cushioning on one side = 560mm / cushioning on both sides = 780mm

120 kg: cushioning on one side = 600mm / cushioning on both sides = 825mm

- High quality hydraulics
- Double-sided spring guidance
- A closing damper replaces a standard carriage

MAX. DOOR WEIGHT	ART. NO.	SU
60 kg	BO 5800060	1x
80 kg	BO 5800080	1x
120 kg	BO 5800120	1x

MasterTrack® BT Synchro Accessories Set



Optional synchronous deflection for simultaneous opening and closing of two door leaves. Suitable for the classic wall or ceiling mounting.

- Max. door weight 120 kg

APPLICATION	ART. NO.	SU
Standard / Flush with the ceiling	BO 5800005	1x

MasterTrack® BT Telescope Accessories Set



Accessory set for simultaneous opening and closing of two doors in telescopic alignment with two guides.

- Max. door weight 120 kg
- Glass thickness door: 8 - 10 mm

APPLICATION	ART. NO.	SU
Telescopic for two doors	BO 5800006	1x

Accessory set for simultaneous opening and closing of three doors in telescopic alignment with two guides

- Max. door weight 120 kg
- Glass thickness door: 8 - 10 mm

APPLICATION	ART. NO.	SU
Telescopic for three doors	BO 5800007	1x

MasterTrack® BT Adaptor for wall mounting



Used for mounting telescopic applications with two guides to a wall.

- Max. door weight 120 kg
- 5 adaptors per metre necessary

APPLICATION	ART. NO.	SU
Telescopic	BO 5800010	1x

U-Channels 20 x 17



- Size 20 x 17 x 20 x 1.5 mm
- Glass thickness 10 - 12.76 mm
- Material Aluminium

LENGTH	FINISH	ART. NO.	SU
2500 mm	Aluminium-coloured anodised E6 EV1	BO 6703434	1x
5000 mm	Aluminium-coloured anodised E6 EV1	BO 6703446	1x



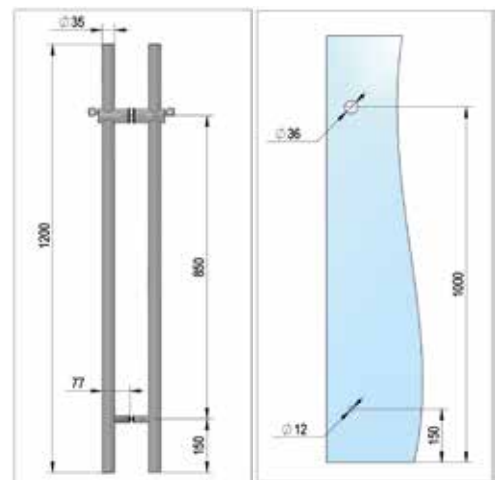
Sliding Door Handles

Lockable Rod Handle

The lockable rod handle is a comfortable locking system with the lock positioned in a convenient, ergonomic height. It is well suited for all standard 30/160 Euro profile cylinders. The cylinder is easily exchangeable and can therefore simply be adapted to individual locking systems. Both double and knob cylinders can be used for this system. With a length of either 1200 or 1900 mm and a downward closing mechanism, the rod handle is universally applicable for sliding and swinging doors.

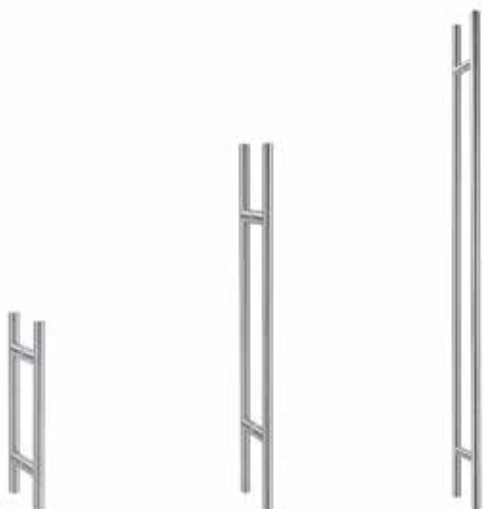


- Width (ø) 35 mm
- Depth (H) 77 mm
- Stainless steel AISI 304
- Finish brushed

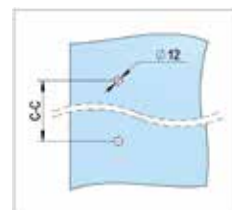
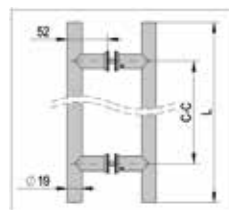


LENGTH	DESCRIPTION	ART. NO.	SU
1200 mm	Handle type	BO 5213346	1x
1900 mm	Handle type	BO 5213347	1x
30/160 mm	Cylinder lock without knob	BO 5213348	1x
30/160 mm	Cylinder lock without knob	BO 5213349	1x

Handle type ø 19 mm



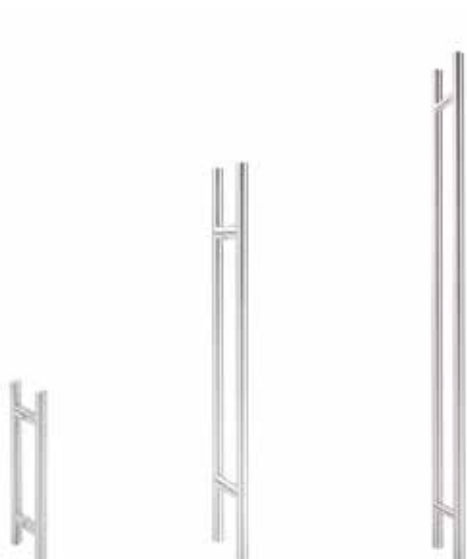
- Width (ø) 19 mm
- Depth (H) 52 mm
- Stainless steel AISI 304
- Glass thickness 6 - 12 mm
- Drill hole in glass ø 12 mm



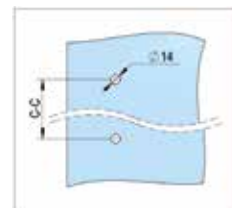
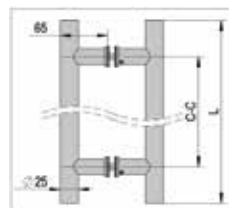
LENGTH	AXIS (C-C)	FINISH	ART. NO.	SU
250 mm	150 mm	brushed	BO 5213740	1x
300 mm	200 mm	brushed	BO 5213738	1x
400 mm	300 mm	brushed	BO 5213742	1x
500 mm	300 mm	brushed	BO 5213739	1x
600 mm	500 mm	brushed	BO 5213745	1x
800 mm	600 mm	brushed	BO 5213746	1x
1000 mm	800 mm	brushed	BO 5213747	1x
500 mm	300 mm	black powder coated	BO 5213739B	1x

INCLUDED IN DELIVERY:
Screws for doors up to 40 mm included

Handle type ø 25 mm



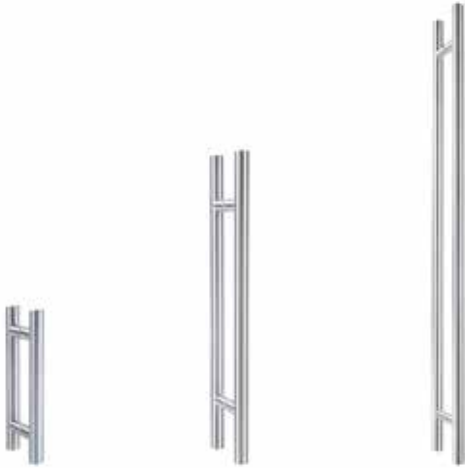
- Width (ø) 25 mm
- Depth (H) 65 mm
- Stainless steel AISI 304
- Glass thickness 6 - 12 mm
- Drill hole in glass ø 14 mm



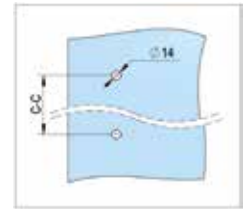
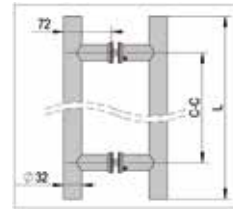
LENGTH	AXIS (C-C)	FINISH	ART. NO.	SU
400 mm	300 mm	brushed	BO 5113701	1x
300 mm	200 mm	brushed	BO 5213749	1x
500 mm	400 mm	brushed	BO 5113702	1x
600 mm	400 mm	brushed	BO 5113703	1x
700 mm	500 mm	brushed	BO 5113704	1x
800 mm	600 mm	brushed	BO 5113705	1x
1000 mm	800 mm	brushed	BO 5113706	1x
1200 mm	1000 mm	brushed	BO 5113707	1x
500 mm	400 mm	black powder coated	BO 5113702B	1x

INCLUDED IN DELIVERY:
Screws for doors up to 40 mm included

Handle type \varnothing 32 mm



- Width (\varnothing) 32 mm
- Depth (H) 72 mm
- Stainless steel AISI 304
- Glass thickness 6 - 12 mm
- Drill hole in glass \varnothing 14 mm



LENGTH	AXIS (C-C)	FINISH	ART. NO.	SU
300 mm	200 mm	brushed	BO 5113711	1x
450 mm	300 mm	brushed	BO 5213789	1x
800 mm	600 mm	brushed	BO 5113715	1x
1000 mm	800 mm	brushed	BO 5213779	1x
1200 mm	1000 mm	brushed	BO 5113716	1x
1600 mm	1000 mm	brushed	BO 5113717	1x
1800 mm	1000 mm	brushed	BO 5113718	1x
2000 mm	1000 mm	brushed	BO 5113719	1x

INCLUDED IN DELIVERY:

Screws for doors up to 40 mm included

Handle type square without protrusion



- Finish brushed
- Stainless steel AISI 304
- Glass thickness 6 - 12 mm
- VE 1

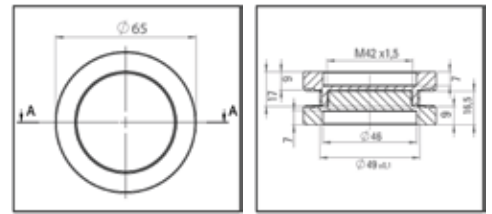


LENGTH	WIDTH	DEPTH	AXIS (C-C)	DRILL HOLE IN GLASS	ART. NO.
1200 mm	25 x 38 mm	80 mm	1175 mm	\varnothing 14 mm	BO 5215027
290 mm	15 x 30 mm	55 mm	275 mm	\varnothing 10 mm	BO 5215028
440 mm	15 x 30 mm	55 mm	425 mm	\varnothing 10 mm	BO 5215029
590 mm	15 x 30 mm	55 mm	575 mm	\varnothing 10 mm	BO 5215030
475 mm	25 x 50 mm	65 mm	450 mm	\varnothing 14 mm	BO 5215031
600 mm	25 x 50 mm	65 mm	575 mm	\varnothing 14 mm	BO 5215032

Flush Handle round closed



- Width (ø) 65 mm
- Depth (H) 7 mm
- Glass thickness 8 - 10 mm
- Drill hole in glass ø 50 mm

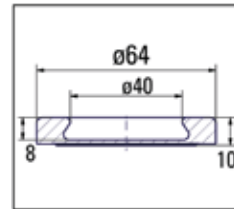


MATERIAL	FINISH	ART. NO.	SU
Stainless steel AISI 304	brushed	BO 5214217N	1x
Aluminium	aluminium-coloured E6 C0	BO 5214218N	1x
Aluminium	black anodised E6 C35	BO 5214219N	1x

Flush Handle round Ø 64 mm closed self-adhesive



- Width (ø) 64 mm
- Depth (H) 8 mm

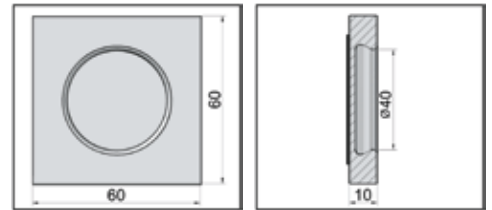


MATERIAL	FINISH	ART. NO.	SU
Stainless steel AISI 304	brushed	BO 5205105	1x

Flush Handle square closed self-adhesive



- Width 60 x 60 mm
- Depth (H) 10 mm

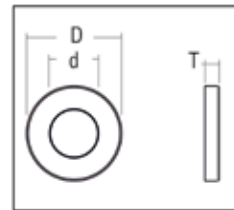


MATERIAL	FINISH	ART. NO.	SU
Stainless steel AISI 304	brushed	BO 5205109	1x

Flush Handle round open self-adhesive



- Width (ø) 65 mm

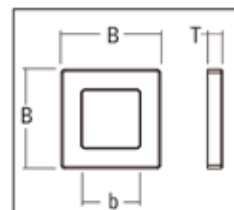


DEPTH	INNER DIAMETER	MATERIAL	FINISH	ART. NO.	SU
7 mm	ø 52 mm	Stainless steel AISI 304	brushed	BO 5113794	1x
9 mm	ø 40 mm	Aluminium	aluminium-coloured E6/EV1	BO 5113785	1x

Flush Handle square open self-adhesive



- Width 60 x 60 mm



DEPTH	INNER WIDTH	MATERIAL	FINISH	ART. NO.	SU
8 mm	40 mm	Stainless steel AISI 304	brushed	BO 5113778	1x
9 mm	35 mm	Aluminium	aluminium-coloured E6/EV1	BO 5113770	1x

Handling

Veribor® pump-activated suction lifter made of plastic in Carrying Case (formerly BO 601BL)



- Load capacity 120 kg
- Lifting direction parallel
- Material of Suction Lifter plastic
- Surface geometry flat
- Suction pad ø 213 mm
- Vacuum gauge
- GS certified

ART. NO.	SU
BO 601G	1x

Veribor® 3-cup suction lifter made of plastic



- Load capacity 90 kg
- Lifting direction parallel
- Material of Suction Lifter plastic
- Surface geometry flat
- Suction pad ø 120 mm

ART. NO.	SU
BO 603.1G	1x

Veribor® 2-cup suction lifter made of plastic



- Load capacity 50 kg
- Lifting direction parallel
- Material of Suction Lifter plastic
- Surface geometry flat
- Suction pad ø 120 mm

ART. NO.	SU
BO 602.1G	1x

Tools

VetroLevel Fixing aid with integrated spirit level

Small helper – great benefit: VetroLevel enables the quick horizontal positioning of glass panes. Fasten the little helper in a way that you can keep an eye on it during installation. The proven vacuum technology of the Veribor® suction pad holds it safely in place. Now you have both hands free to comfortably align the glass pane without the need for a spirit level. VetroLevel therefore ideally supports the installation of VetroMount® and is also perfectly suited for mounting all-glass showers or partition walls. No matter where you need to align a glass pane horizontally for mounting – VetroLevel is there to help. And if you want to use it on materials other than glass, Veribor® suction pad can be attached to all smooth and gastight surfaces, making VetroLevel even more versatile.



- Suction pad ø 90 mm
- Temperature range -10°C - +40°C
- Quick installation

ART. NO.	SU
BO 5140450	1x

Professional Mounting Kit with Proxxon Torque Wrench

Complete set for safe, professional mounting of hardware according to manufacturer's instructions, in practical carrying case.



ART. NO.	SU
BO 5104734	1x

INCLUDED IN DELIVERY:

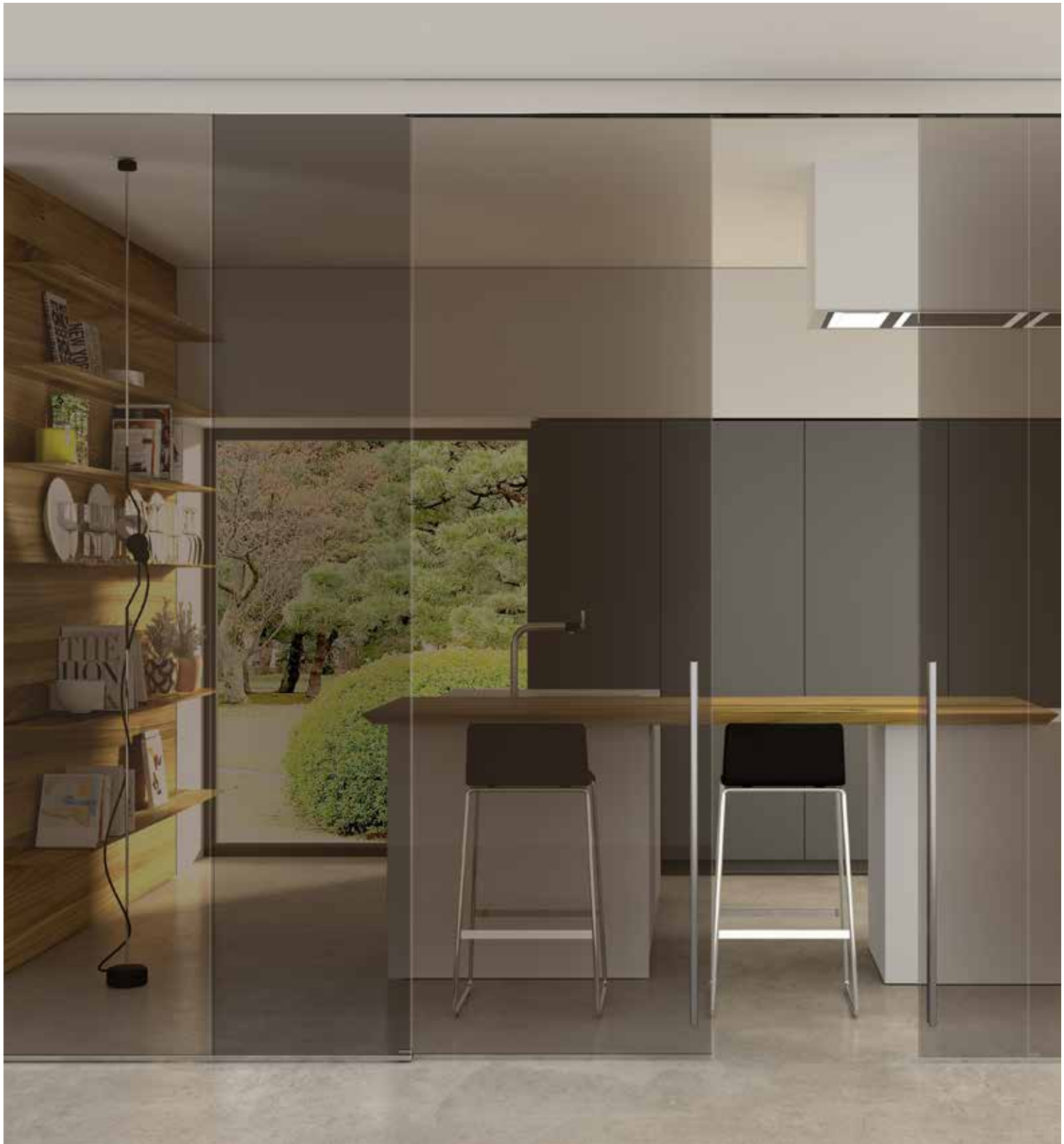
- 1x Proxxon 1/4" torque wrench 2-10 Nm
- 1x Torque Wrench 1/4" 6-30 Nm
- 1x 1/4" bit screwdriver
- 1x BICOLOR 1/4" bit box
- 1x Adaptor for 1/4" bits
- 1x Allen set with 1.5 - 10 mm ball head
- 1x Tape measure, 5 m long
- 1x 8 mm ratchet wrench
- 1x 10 mm ratchet wrench
- 1x 11 mm ratchet wrench
- 1x 12 mm ratchet wrench
- 1x 13 mm ratchet wrench

Shims Euroclick Type 3 , 40 x 30 mm

Shims are used in window and door construction, as well as in interior and dry fit-out. They serve for compensating uneven surfaces and for quick alignment. The ratchet prevents the shim from slipping away from the screw. Thanks to this mounting aid, the shim can be easily positioned.

- Compensation/shimming of profiles (e.g., FrameTec Select 2.0, MasterTrack® FT) in case of uneven walls
- Bag with 100 pieces
- With Mounting Aid
- With ratchet

THICKNESS	DESCRIPTION	ART. NO.
1 mm	white	BO 5133101
3 mm	red	BO 5133103
5 mm	green	BO 5133105



Bohle Ltd.
Fifth Avenue
Tameside Park
Dukinfield
Cheshire, SK16 4PP

T +44 161 3421100
F +44 161 3440111
Freephone Number: 0800 616151

info@bohle.ltd.uk
www.bohle.com

 Bohle